

Care Fixing set

Article number: 0447680000

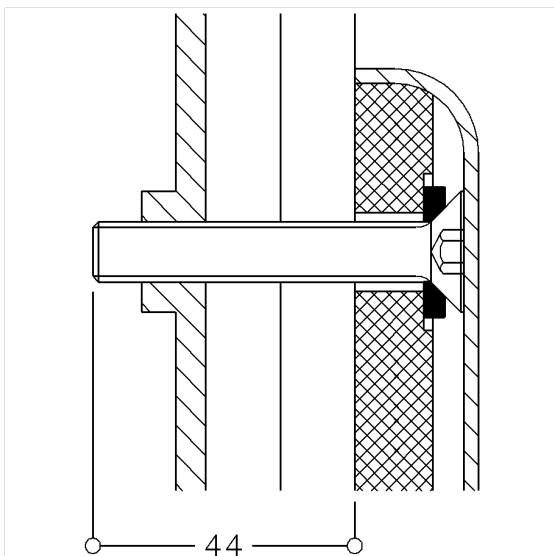
Product image



Technical specifications

Product group	2000
Product	Fixing set
Short name	MS 4.9 A 3
Material	polyamide
Type of wall	In front of the wall with panels with integrated mounting plate made of steel or metal supported wall on lightweighth partition walls made of gypsum, flake boardm hardboard
Material & scope of delivery	3 x countersunk screw M10 x 60, A4-AISI 316
Colour	Colourless (000)

Technical drawing



Product description

- suitable for:
 - Nylon Care 300 wall-/lift-up support rail, Mounting plate for lift-up shower seat and shower guard rail
 - Nylon Care 400 wall-/lift-up support rail, shower guard rail and Mounting plate for lift-up shower seat
 - Special Care Adipositas: lift-up support rail
- installation has to be carried out by professionals



000