

## Care Solutions · Cavere Care

Cavere Care Grab bar,  
with integrated towel rail

Article number: 7453160095

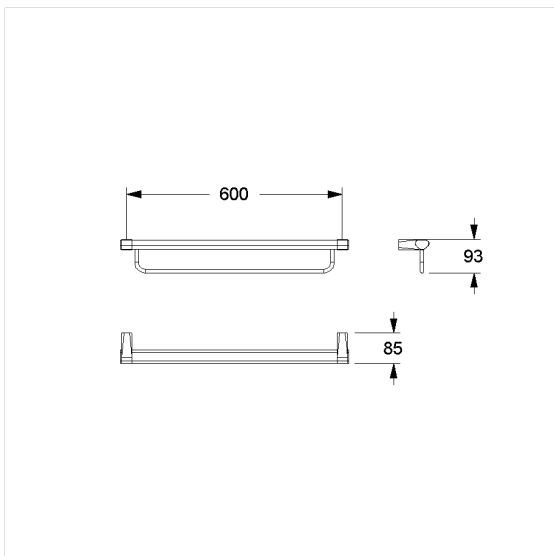
### Product image



### Technical specifications

Product group	7000
Product	Grab bar, with integrated towel rail
Axle dimension a1	600 mm
Fixing type	single-point mounting
Fixing points	2 Piece
Material	aluminium
Surface	scratch-resistant powder coating with antibacterial protection (except 091 Carbon black)
Colour	available in Cavere colours
Version	left and right
Loading	max. 100 kgs

### Technical drawing



### Product description

- Cavere Care as an award-winning product family with excellent design for all requirements
- ergonomic by trigonometric handle contour
- single-point wall attachment with 3mm tolerance compensation (= ffl 1.5mm) for an easy and safe installation,
- concealed screw fixing
- In case of lightweight partition walls a backfill made of min. 30mm hardwood is needed
- CE-certified
- supplied with stainless steel hexagon head screws  $\varnothing 6 \times 100$  mm according to DIN 571 and dowels



Antibac

