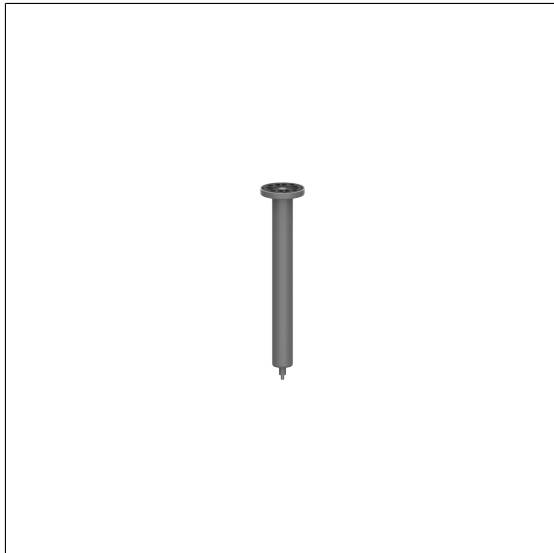


## Care Solutions · Nylon Care 300

Nylon Care 300 Ceiling support

Article number: 0300340018

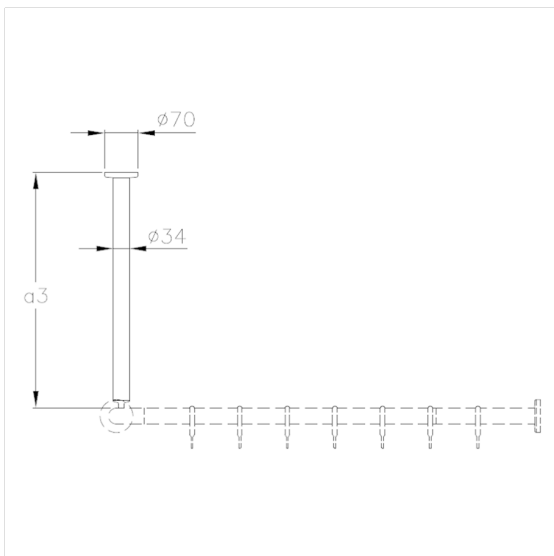
### Product image



### Technical specifications

Product group	0700
Product	Ceiling support
Length	200 - 2000 mm
Material	polyamide
Surface	high gloss
Diameter	34 mm
Colour	available in nylon colours

### Technical drawing



### Product description

- Nylon Care - a well-trying and proven product family with a wide range of variants, three product series suiting many different requirements
- for Nylon Care 300 Shower curtain rails
- can be shortened (length)
- for fixing on connection thread of the shower curtain rail
- with plastic rose  $\phi 70$ mm for concealed screw fixing and glass fiber reinforced plastic base
- In case of lightweight partition walls a backfill made of min. 20mm hardwood is needed
- expandable with ceiling support for suspended ceiling 0300348 / 0300349
- supplied with stainless steel Torx screw s $\phi$  6 x 70 mm and plugs

