

Product data sheet

Nylon Care 400

Nylon Care 400 Lift-up support rail,
with floor support

Article number: 0447350018

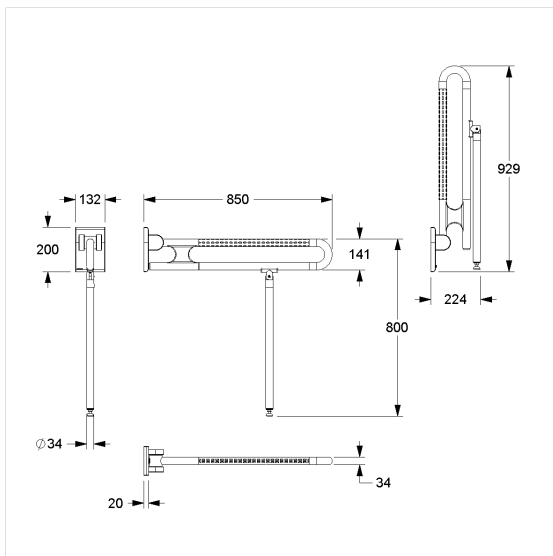
Product image



Technical specifications

Product group	2000
Product	Lift-up support rail, with floor support
Length	850 mm
Fixing height	800 mm
Diameter	34 mm
Material	polyamide
Surface	high-gloss with textured surface
Colour	available in nylon colours
Version	left and right
Loading	max. 125 kgs

Technical drawing



Product description

- Nylon Care - a well-trying and proven product family with a wide range of variants, three product series suiting many different requirements
- with adjustable brake
- with durable maintenance-free, friction bearings
- with non-corrosive steel core throughout
- spring-loaded mechanism, smooth-running folding
- floor support with non-slip floor contact
- with steel reinforced mounting plate for three-point fixing and Nylon cover
- Floor support serves as a support in case of insufficient wall condition, thus the resulting forces on the wall fixing can be reduced
- concealed screw fixing
- In case of lightweight partition walls a backfill made of min. 20mm hardwood is needed
- certified by TÜV PRODUCT SERVICE
- load capacity: max. 125kgs according to ISO17966:2016, statically tested up to 150kgs
- produced in accordance with Regulation (EU) 2017/745 on medical devices
- CE-certified
- Fixing set has to be determined according to conditions on site, is to be ordered separately

