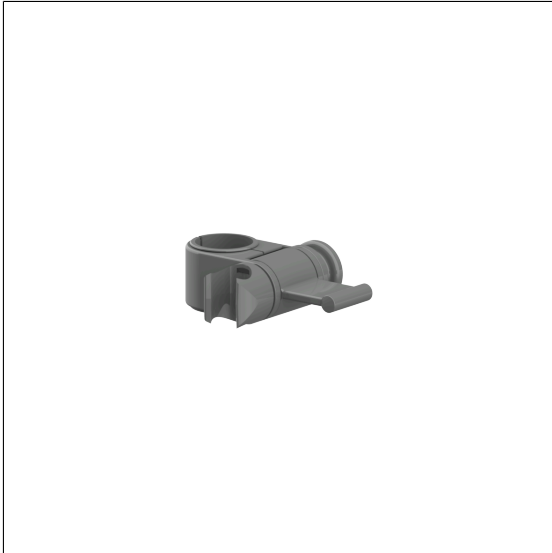


Inox Care Shower head holder

Article number: 0515100018

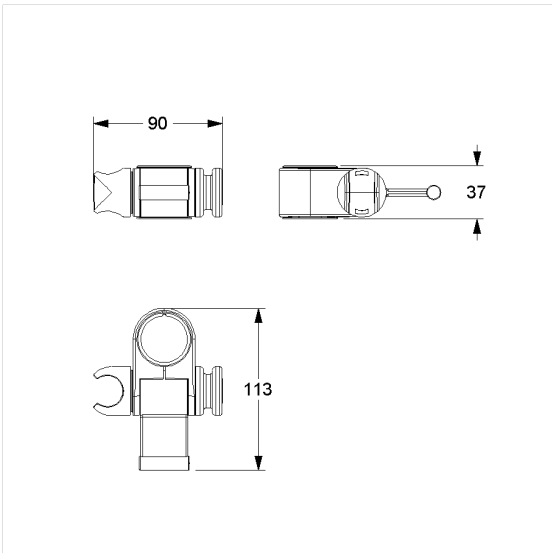
### Product image



### Technical specifications

Product group	1500
Product	Shower head holder
Length	88 mm
Width	34 mm
Height	113 mm
Material	polyamide
Surface	high gloss
Colour	available in nylon colours

### Technical drawing



### Product description

- Inox Care as a robust and timeless classic with bacteriostatic properties
- for fixing on Inox Care shower rails
- Shower head holder with easy adjustment to any height and angle, self-adjusting clamp maintenance-free
- with long operating handle and multi-purpose side hook
- Shower head holder suitable for various hand shower types

