

Care Solutions · Inox Partition solutions

Inox Bend

Article number: 2290340009

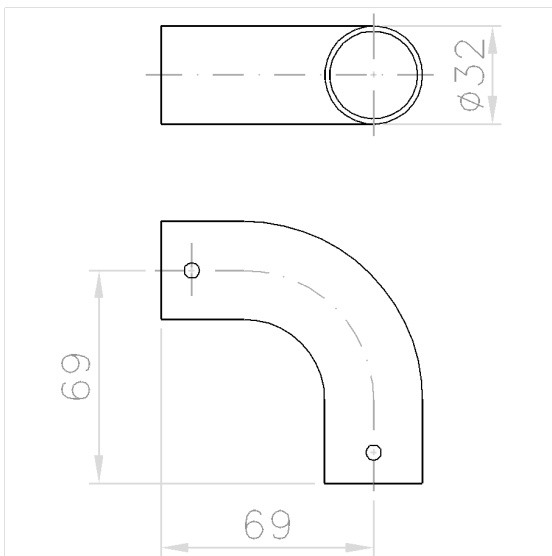
Product image



Technical specifications

Product group	6600
Product	Bend
Short name	NT.BO
Length	85 mm
Width	85 mm
Height	32 mm
Material	stainless steel, material No. 1.4401 (A4, AISI 316)
Surface	brushed finish
Colour	Stainless steel (009)

Technical drawing



Product description

- Design partition solutions for doors and partitions made of HPL board material
- Single part for upper belt
- Connection to the tube elements is made in each case with the connecting piece 2290330
- with drill hole \varnothing 6 mm



009