

Inox Care Grab rail

Article number: 2054030009

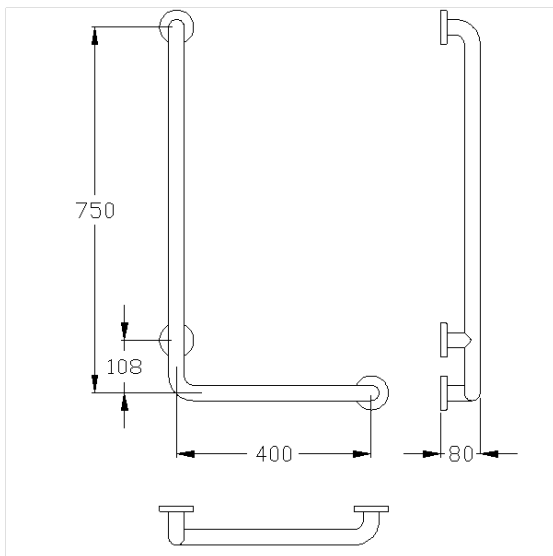
Product image



Technical specifications

Product group	5500
Product	Grab rail
Angle	90 °
Axle dimension a1	400 mm
Axle dimension a2	750 mm
Fixing type	rosettes mounting
Fixing points	3 Piece
Diameter	32 mm
Material	stainless steel, material No. 1.4301 (A2, AISI 304)
Surface	brushed finish
Colour	Stainless steel (009)
Version	left
Loading	max. 175 kgs

Technical drawing



Product description

- Inox Care as a robust and timeless classic with bacteriostatic properties
- with Rose Gasket for sealing of the drilling points according to German standard DIN 18534-1
- with stainless steel roses \varnothing 70mm for concealed screw fixing
- In case of lightweight partition walls a backfill made of min. 20mm hardwood is needed
- produced in accordance with Regulation (EU) 2017/745 on medical devices
- CE-certified
- meets the requirements of German standard DIN 18040 and Austrian standard ÖNORM B 1600
- supplied with stainless steel Torx screw $s\varnothing$ 6 x 70 mm and plugs



009