

## Care Solutions

Care Fixing set,  
with rosettes

Article number: 0527300018

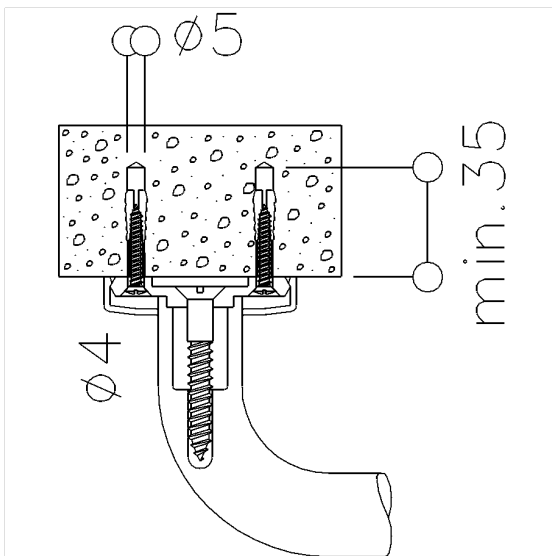
### Product image



### Technical specifications

Product group	1500
Product	Fixing set, with rosettes
Short name	MS 2.9B
Material	polyamide
Type of wall	Brickwork
Material & scope of delivery	2 x rosette 2 x lower rosette 6 x countersunk wood screw Ø 4 x 20 STCC/CB 6 x dowel Ø 6 2 x countersunk wood screw Ø 8 x 50 STCB
Colour	available in nylon colours

### Technical drawing



### Product description

- suitable for: Nylon Towel rail 0528110, 0528120 with antibacteriell protection 4528110, 4528120
- installation has to be carried out by professionals

