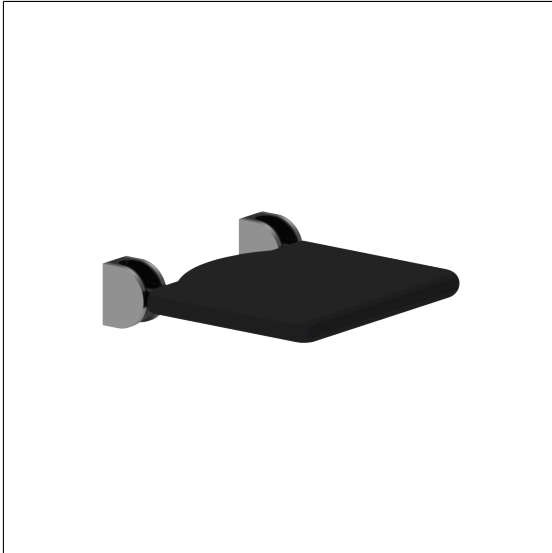


Inox Care Lift-up shower seat

Article number: 2974010009

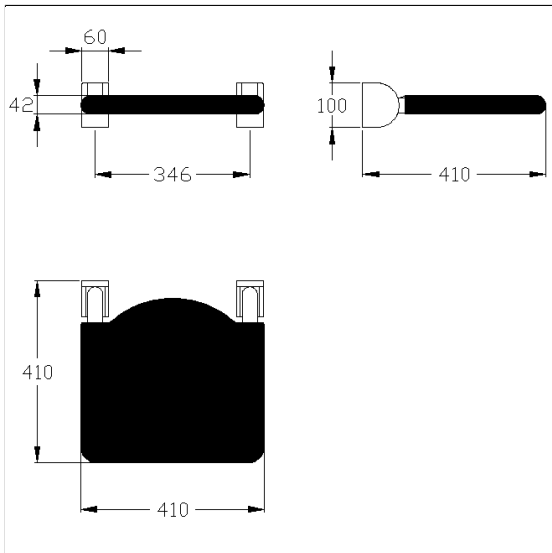
### Product image



### Technical specifications

|               |  |
|---------------|--|
| Product group | 5500   |
| Product       | Lift-up shower seat  |
| Length        | 410 mm   |
| Height        | 410 mm   |
| Width         | 100 mm   |
| Material      | stainless steel, material No. 1.4301 (A2, AISI 304),<br>padded made of PUR integral foam |
| Surface       | brushed finish   |
| Colour        | Stainless steel (009), padded, colour black  |
| Loading       | max. 175 kgs   |

### Technical drawing



### Product description

- Inox Care as a robust and timeless classic with bacteriostatic properties
- with adjustable brake
- locked in place in vertical position
- steel reinforced hinges
- lateral covers in stainless steel look
- Pad with non-corrosive steel core throughout
- concealed screw fixing
- In case of lightweight partition walls a backfill made of min. 20mm hardwood is needed
- Fixing set has to be determined according to conditions on site, is to be ordered separately



009