

Care Solutions · Inox Care

Inox Care Lift-up shower seat

Article number: 2974010009

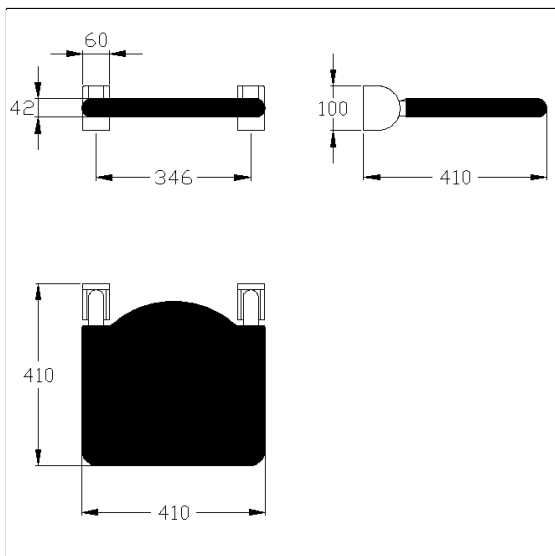
Product image



Technical specifications

Product group	5500
Product	Lift-up shower seat
Length	410 mm
Height	410 mm
Width	100 mm
Material	stainless steel, material No. 1.4301 (A2, AISI 304), padded made of PUR integral foam
Surface	brushed finish
Colour	Stainless steel (009), padded, colour black
Loading	max. 175 kgs

Technical drawing



Product description

- Inox Care as a robust and timeless classic with bacteriostatic properties
- Pad with non-corrosive steel core throughout
- steel reinforced hinges
- lateral covers in stainless steel look
- with adjustable brake
- locked in place in vertical position
- concealed screw fixing
- In case of lightweight partition walls a backfill made of min. 20mm hardwood is needed
- Fixing set has to be determined according to conditions on site, is to be ordered separately



009