

Care Solutions · Nylon Care Accessories

Nylon Care Toilet roll holder,
retrofittable

Article number: 0449120018

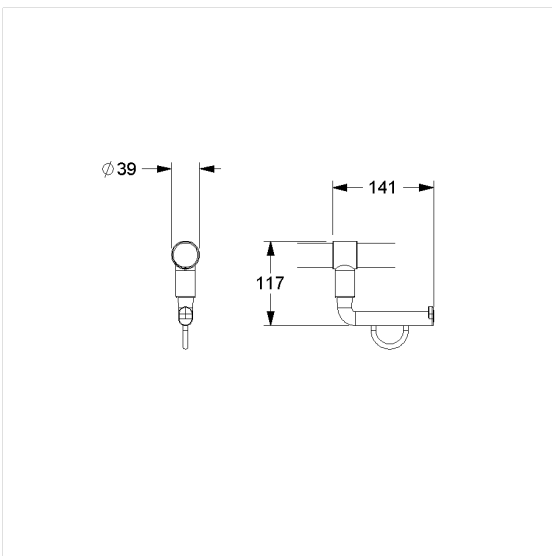
Product image



Technical specifications

| | |
|---------------|-----------------------------------|
| Product group | 2000 |
| Product | Toilet roll holder, retrofittable |
| Length | 141 mm |
| Width | 39 mm |
| Height | 117 mm |
| Material | polyamide |
| Surface | high gloss |
| Colour | available in nylon colours |

Technical drawing



Product description

- Nylon Care - a well-trying and proven product family with a wide range of variants, three product series suiting many different requirements
- for Nylon Care Lift-up support rails and wall-mounted support rails and grab rails
- for take on commercially available paper rolls
- with maintenance-free roll brake
- supplied with fixing material
- not suitable for lift-up support rails with one horizontal rail (0437xxx) and angled grab rails of Nylon Care 400 series

