

Care Solutions · Cavere Care

Cavere Care Lift-up support rail,
for side fixing

Article number: 7447223091

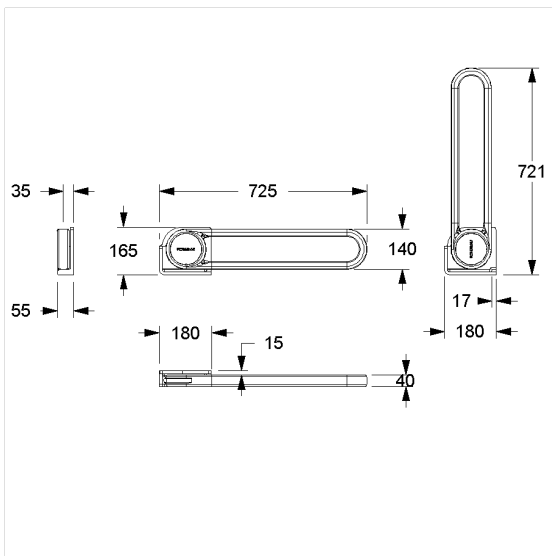
Product image



Technical specifications

Product group	7000
Product	Lift-up support rail, for side fixing
Length	725 mm
Material	aluminium
Surface	scratch-resistant powder coating with antibacterial protection (except 091 Carbon black)
Colour	available in Cavere colours
Version	left
Loading	max. 100 kgs

Technical drawing



Product description

- Cavere Care as an award-winning product family with excellent design for all requirements
- ergonomic by trigonometric handle contour
- with adjustable brake
- with durable maintenance-free, friction bearings
- suitable for front-wall, recommended distance of 650 to 700mm according to German DIN 18040
- Space required behind lift-up support rail for mounting: min. 65 mm
- In case of lightweight partition walls a backfill made of min. 20mm hardwood is needed
- retrofitting with Toilet roll holder 7449110
- CE-certified
- meets the requirements of German standard DIN 18040 and Austrian standard ÖNORM B 1600
- Fixing set has to be determined according to conditions on site, is to be ordered separately

