

Care Solutions · Cavere Care Accessories

Cavere Care Tumbler holder,
with tumbler

Article number: 7500440095

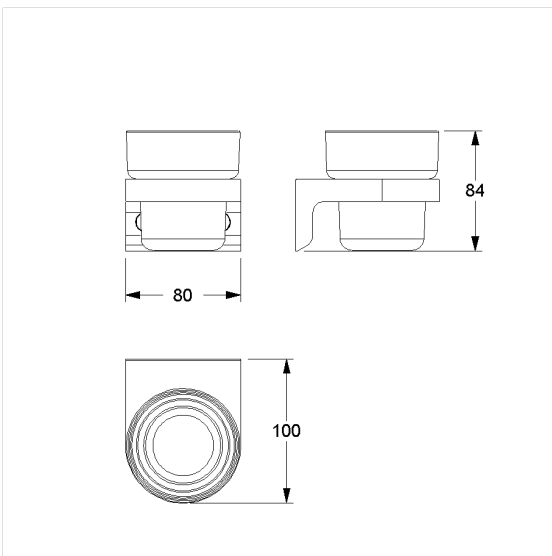
Product image



Technical specifications

Product group	7010
Product	Tumbler holder, with tumbler
Length	80 mm
Width	100 mm
Height	84 mm
Material	aluminium, tumbler made of Plastic
Surface	scratch-resistant powder coating with antibacterial protection (except 091 Carbon black)
Colour	available in Cavere colours

Technical drawing



Product description

- Cavere Care as an award-winning product family with excellent design for all requirements
- tumbler can be removed for cleaning
- tumbler break-resistant
- concealed screw fixing
- for wall mounting
- supplied with stainless steel Torx screws $\varnothing 5 \times 60$ mm and plugs



Antibac

