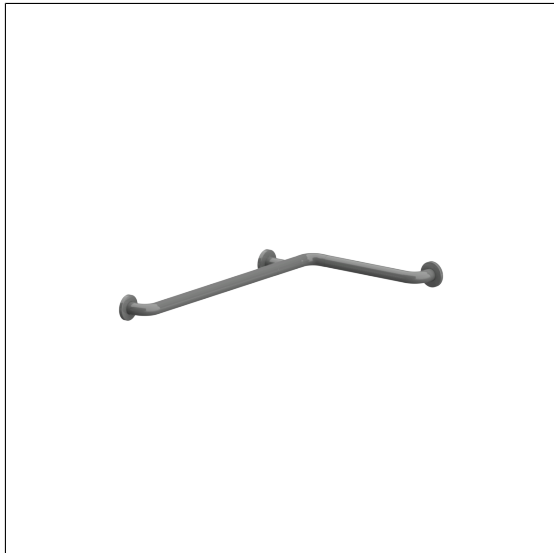


Care Solutions · Nylon Care 300

Nylon Care 300 Shower handrail

Article number: 0300832018

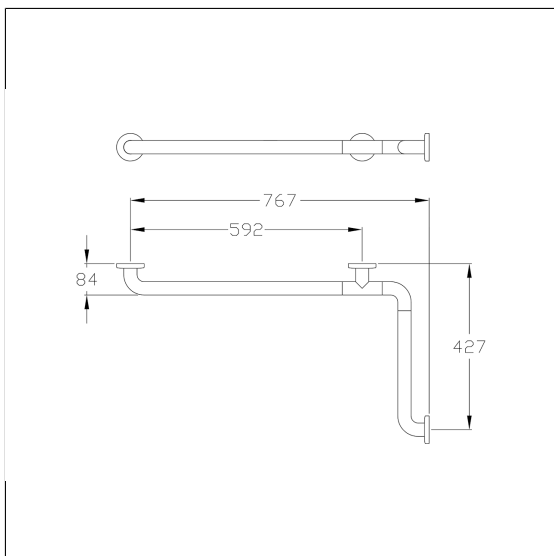
Product image



Technical specifications

Product group	0700
Product	Shower handrail
Axle dimension a1	427 mm
Axle dimension a2	767 mm
Fixing type	rosettes mounting
Fixing points	3 Piece
Diameter	34 mm
Material	polyamide
Surface	high gloss
Colour	available in nylon colours
Version	left and right
Loading	max. 175 kgs

Technical drawing



Product description

- Nylon Care - a well-trying and proven product family with a wide range of variants, three product series suiting many different requirements
- with non-corrosive steel core throughout
- with Rose Gasket for sealing of the drilling points according to German standard DIN 18534-1
- with plastic rose \varnothing 70mm for concealed screw fixing and glass fiber reinforced plastic base
- In case of lightweight partition walls a backfill made of min. 20mm hardwood is needed
- CE-certified
- meets the requirements of German standard DIN 18040 and Austrian standard ÖNORM B 1600
- supplied with stainless steel Torx screw $s\varnothing$ 6 x 70 mm and plugs

