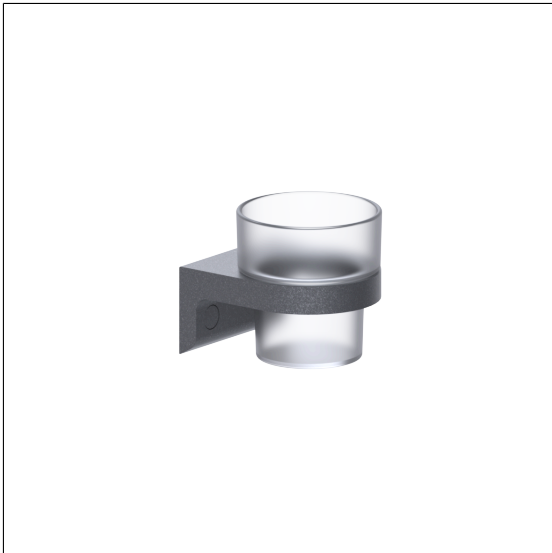


## Care Solutions · Cavere Care Accessories

Cavere Care Glass holder,  
with glass

Article number: 7500450095

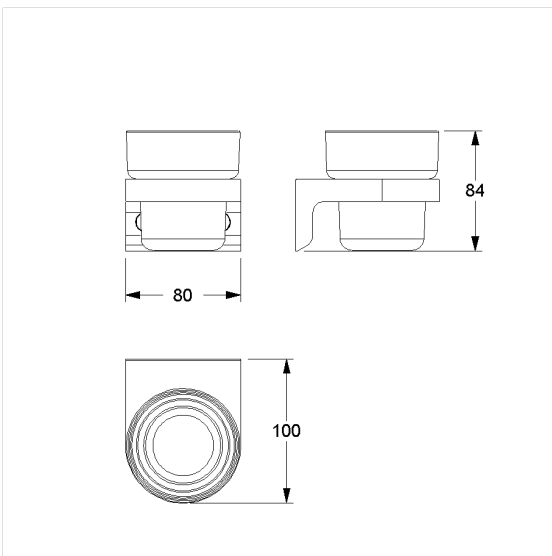
### Product image



### Technical specifications

Product group	7010
Product	Glass holder, with glass
Length	80 mm
Width	100 mm
Height	84 mm
Material	aluminium, glass
Surface	scratch-resistant powder coating with antibacterial protection (except 091 Carbon black), Satinised glass
Colour	available in Cavere colours

### Technical drawing



### Product description

- Cavere Care as an award-winning product family with excellent design for all requirements
- Glass can be removed for cleaning
- concealed screw fixing
- for wall mounting
- supplied with stainless steel Torx screws  $\varnothing 5 \times 60$  mm and plugs



Antibac



091 092 093 095 096