

## Care Solutions · Nylon Care 400

Nylon Care 400 Grab rail

Article number: 0464060018

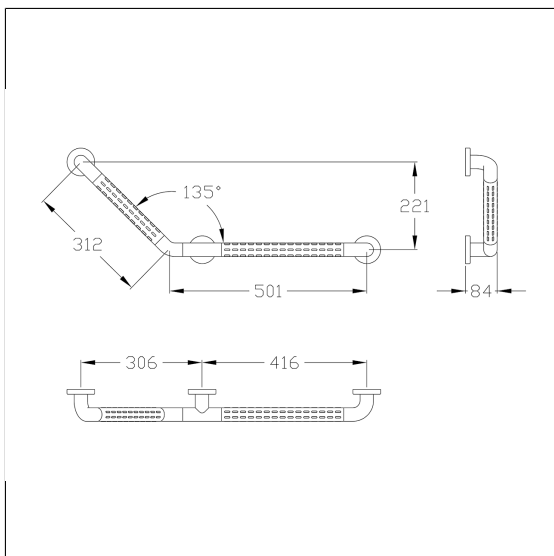
### Product image



### Technical specifications

|                   |  |
|-------------------|--|
| Product group     | 2000   |
| Product           | Grab rail  |
| Axle dimension a1 | 501 mm   |
| Axle dimension a3 | 312 mm   |
| Fixing type       | rosettes mounting                                  |
| Fixing points     | 3 Piece  |
| Diameter          | 34 mm  |
| Material          | polyamide  |
| Surface           | high-gloss with textured surface for non-slip grip |
| Colour            | available in nylon colours                         |
| Version           | left and right                                     |
| Loading           | max. 125 kgs                                       |

### Technical drawing



### Product description

- Nylon Care - a well-trying and proven product family with a wide range of variants, three product series suiting many different requirements
- with non-corrosive steel core throughout
- with Rose Gasket for sealing of the drilling points according to German standard DIN 18534-1
- with plastic rose Ø 70mm for concealed screw fixing and glass fiber reinforced plastic base
- In case of lightweight partition walls a backfill made of min. 20mm hardwood is needed
- meets the requirements of German standard DIN 18040 and Austrian standard ÖNORM B 1600
- supplied with stainless steel Torx screw sØ 6 x 70 mm and plugs

