

Product data sheet

NORMBAU

PASSION FOR CARE

Eco Care

Eco Care Lift-up shower seat,
with support feet

Article number: 1844440019

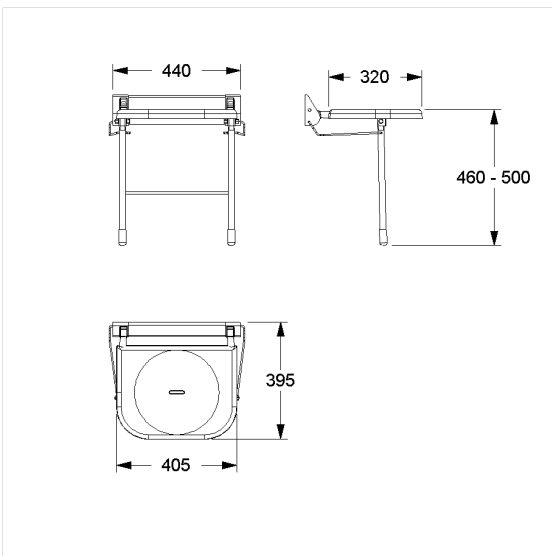
Product image



Technical specifications

Product group	3700
Product	Lift-up shower seat, with support feet
Length	473 mm
Height	550 mm
Width	407 mm
Material	Plastic
Surface	high gloss
Colour	White (019)
Loading	max. 175 kgs

Technical drawing



Product description

- Eco Care as solid and low-cost Care Solution
- seat with drain slot
- with adjustable brake
- locked in place in vertical position
- concealed screw fixing
- In case of lightweight partition walls a backfill made of min. 20mm hardwood is needed



019