

Care Solutions

Care Fixing set,
for fixing on brickwork made of perforated brick (without
injectionscartridge)

Article number: 0448882000

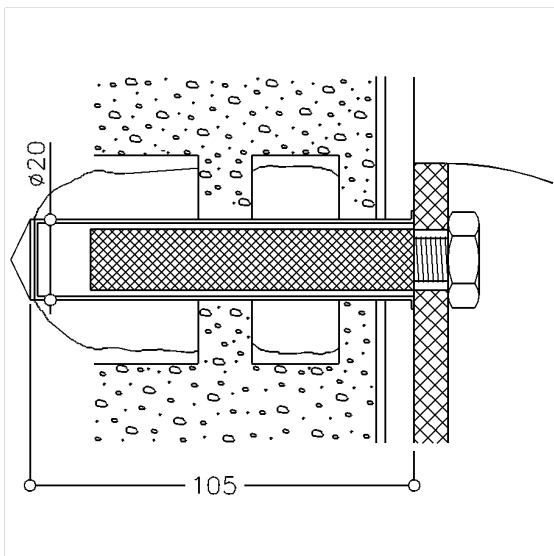
Product image



Technical specifications

Product group	2000
Product	Fixing set, for fixing on brickwork made of perforated brick (without injectionscartridge)
Short name	MS 4.8 H 2
Type of wall	On brickwork made of perforated brick: perforated brick HLz \geq 12, cavity brick KSL \geq 12, checker brick \geq Hbl4, Hbn4 other hollow brick materials concrete/ lightweight concrete, solid brick \geq Mz12 sand-lime brick \geq KS12, natural stone with compact grain solid pumice
Material & scope of delivery	2 x hexagon head screw M10 x 20, A4-AISI 316 2 x sieve sleeve \varnothing 20 x 100 2 x internal threaded steel sleeves \varnothing 15 x 75 / M10
Colour	Colourless (000)

Technical drawing



Product description

- suitable for: Verso Care Lift-up shower seat and Lift-up shower seat with floor support
- installation has to be carried out by professionals
- the fixing set are allowed by building inspector

