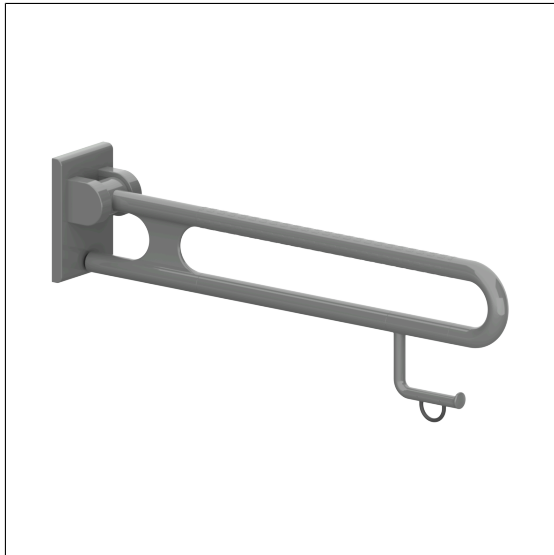


## Care Solutions · Nylon Care 400

Nylon Care 400 Lift-up support rail,  
with Toilet roll holder

Article number: 0447160018

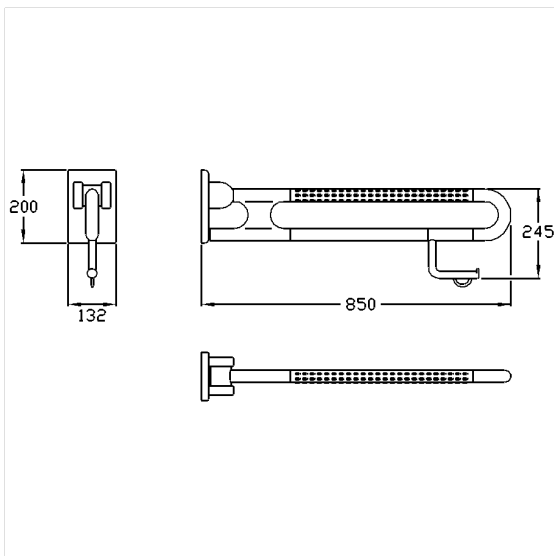
### Product image



### Technical specifications

|               |  |
|---------------|--|
| Product group | 2000   |
| Product       | Lift-up support rail, with Toilet roll holder      |
| Length        | 850 mm   |
| Diameter      | 34 mm  |
| Material      | polyamide  |
| Surface       | high-gloss with textured surface for non-slip grip |
| Colour        | available in nylon colours                         |
| Version       | left and right                                     |
| Loading       | max. 125 kgs                                       |

### Technical drawing



### Product description

- Nylon Care - a well-trying and proven product family with a wide range of variants, three product series suiting many different requirements
- with adjustable brake
- with durable maintenance-free, friction bearings
- with non-corrosive steel core throughout
- spring-loaded mechanism, smooth-running folding
- with paper roll holder with maintenance free roll brake
- with steel reinforced mounting plate for three-point fixing and Nylon cover
- concealed screw fixing
- In case of lightweight partition walls a backfill made of min. 20mm hardwood is needed
- certified by TÜV PRODUCT SERVICE
- produced in accordance with Regulation (EU) 2017/745 on medical devices
- CE-certified
- meets the requirements of German standard DIN 18040 and Austrian standard ÖNORM B 1600
- Fixing set has to be determined according to conditions on site, is to be ordered separately

