

Product data sheet

Care Solutions · Nylon Care 400

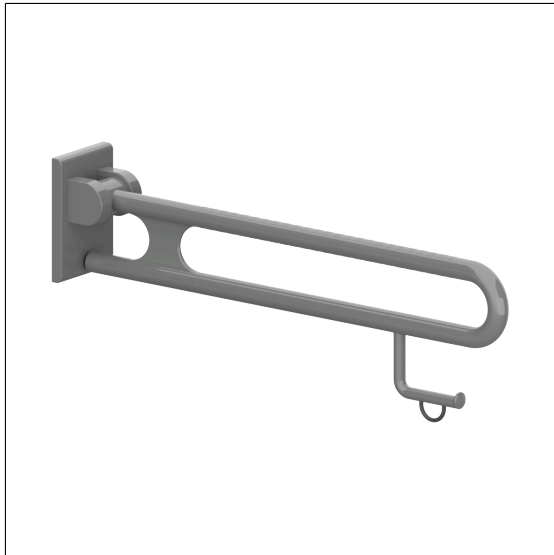
NORMBAU

PASSION FOR CARE

Nylon Care 400 Lift-up support rail,
with Toilet roll holder

Article number: 0447160018

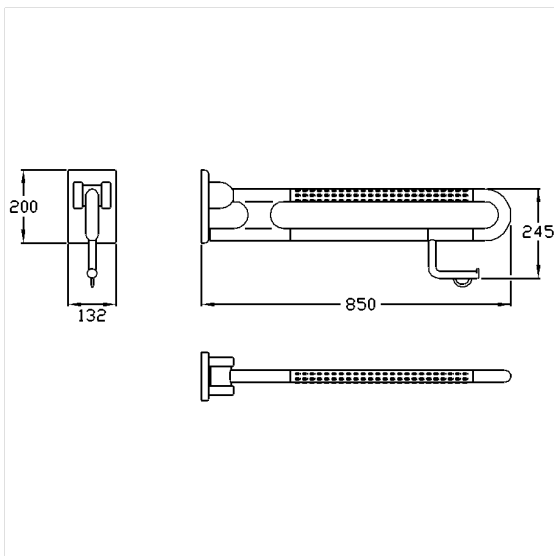
Product image



Technical specifications

Product group	2000
Product	Lift-up support rail, with Toilet roll holder
Length	850 mm
Diameter	34 mm
Material	polyamide
Surface	high-gloss with textured surface for non-slip grip
Colour	available in nylon colours
Version	left and right
Loading	max. 125 kgs

Technical drawing



Product description

- Nylon Care - a well-trying and proven product family with a wide range of variants, three product series suiting many different requirements
- with adjustable brake
- with durable maintenance-free, friction bearings
- with non-corrosive steel core throughout
- spring-loaded mechanism, smooth-running folding
- with paper roll holder with maintenance free roll brake
- with steel reinforced mounting plate for three-point fixing and Nylon cover
- concealed screw fixing
- In case of lightweight partition walls a backfill made of min. 20mm hardwood is needed
- certified by TÜV PRODUCT SERVICE
- CE-certified
- meets the requirements of German standard DIN 18040 and Austrian standard ÖNORM B 1600
- Fixing set has to be determined according to conditions on site, is to be ordered separately

