

Care Mirror lamp

Article number: 0300666009

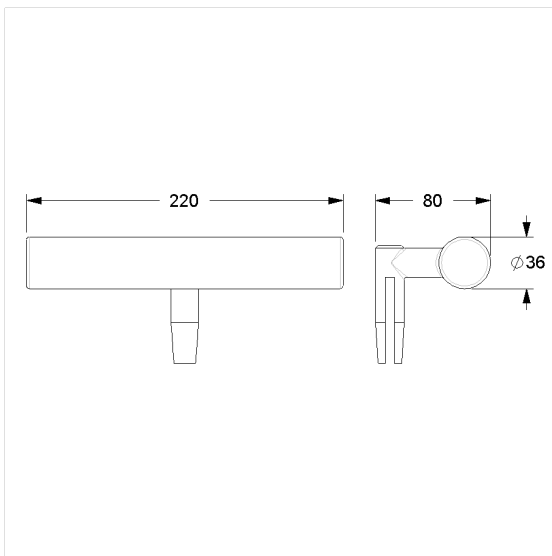
### Product image



### Technical specifications

Product group	0700
Product	Mirror lamp
Length	220 mm
Width	80 mm
Height	36 mm
Material	Metal
Colour	Stainless steel (009)

### Technical drawing



### Product description

- for retrofitting to Nylon Care 400 shower handrails and grab rails from a1 = 800 mm
- casing in stainless steel look
- Halogen bulbs
- 2 x 40 Watt G 9 - 230 V
- nominal luminous flux: 450lm
- splashproof, protective system IP44
- with service cable, length of the cable 1.2m and terminal housing

