

Modular Seating Solution

Ascento Hanging seat,
with backrest and armrests

Article number: 8750037151

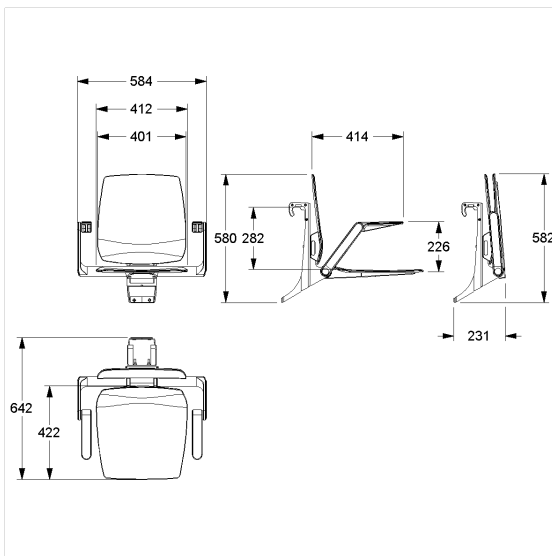
Product image



Technical specifications

Product group	8700
Product	Hanging seat, with backrest and armrests
Compatible for	for Cavere Care
Length	584 mm
Height	574 mm
Width	640 mm
Material	Polypropylene, support bracket and suspension device made of aluminium
Surface	matt
Colour	available in Ascento colours
Loading	max. 150 kgs

Technical drawing



Product description

- Ascento as Modular Seating Solution, expandible and combinable
- ergonomic formed seat and backrest with rounded outer edges
- with adjustable brake
- locked in place in vertical position
- for top edge of shower handrail 750 mm
- concealed screw fixing

