

Care Solutions · Special Care Adipositas

Special Care Adipositas Lift-up shower seat,
with support feet

Article number: 0457811018

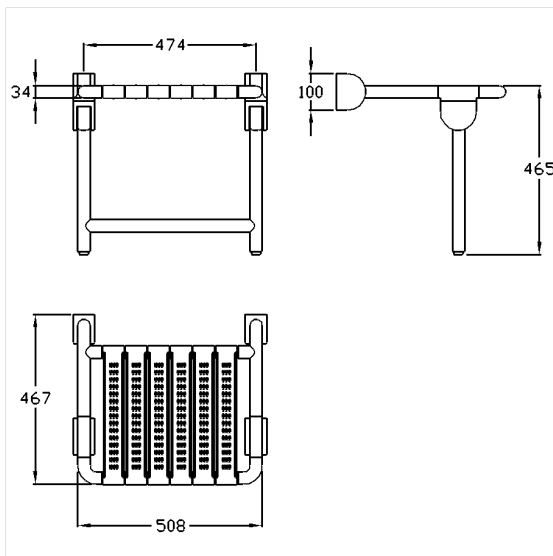
Product image



Technical specifications

Product group	2010
Product	Lift-up shower seat, with support feet
Length	534 mm
Height	498 mm
Width	467 mm
Material	polyamide
Surface	high gloss
Colour	available in nylon colours
Loading	max. 300 kgs

Technical drawing



Product description

- with non-corrosive steel core throughout
- reinforced seat bands made of Nylon
- steel reinforced hinges
- with adjustable brake
- locked in place in vertical position
- concealed screw fixing
- In case of lightweight partition walls a backfill made of min. 20mm hardwood is needed
- Fixing set has to be determined according to conditions on site, is to be ordered separately

