

## Care Solutions · Inox Care

Inox Care Shower handrail,  
with shower head rail

Article number: 2062410008

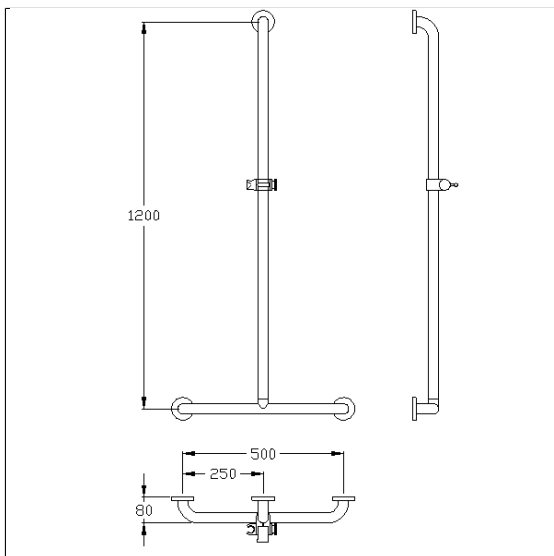
### Product image



### Technical specifications

Product group	5500
Product	Shower handrail, with shower head rail
Axle dimension a1	500 mm
Axle dimension a3	1200 mm
Fixing type	rosettes mounting
Fixing points	3 Piece
Diameter	32 mm
Material	stainless steel, material No. 1.4301 (A2, AISI 304), Shower head holder made of polyamide
Surface	high gloss
Colour	available in Mirror polished (008) and Satin (009)
Version	left and right
Loading	max. 175 kgs

### Technical drawing



### Product description

- Inox Care is a durable and versatile stainless steel range that combines accessibility and hygiene in a modern design
- Shower head holder with easy adjustment to any height and angle, self-adjusting clamp maintenance-free
- with long operating handle and multi-purpose side hook
- with Rose Gasket for sealing of the drilling points according to German standard DIN 18534-1
- with stainless steel roses  $\varnothing$  70mm for concealed screw fixing
- In case of lightweight partition walls a backfill made of min. 20mm hardwood is needed
- produced in accordance with Regulation (EU) 2017/745 on medical devices
- CE-certified
- meets the requirements of German standard DIN 18040 and Austrian standard ÖNORM B 1600
- supplied with stainless steel Torx screw  $s\varnothing$  6 x 70 mm and plugs

