

## Care Solutions · Inox Care Accessories

Inox Care Toilet roll holder,  
retrofittable

Article number: 2050300018

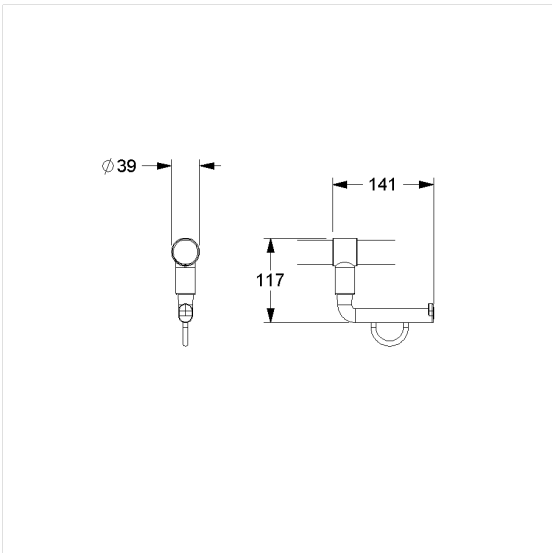
### Product image



### Technical specifications

Product group	5500
Product	Toilet roll holder, retrofittable
Length	143 mm
Width	120 mm
Height	40 mm
Diameter	34 mm
Material	polyamide
Surface	high gloss
Colour	Dark grey (018)

### Technical drawing



### Product description

- Inox Care as a robust and timeless classic with bacteriostatic properties
- for Inox Care Lift-up support rails and wall-mounted support rails and grab rails
- for take on commercially available paper rolls
- supplied with fixing material



018