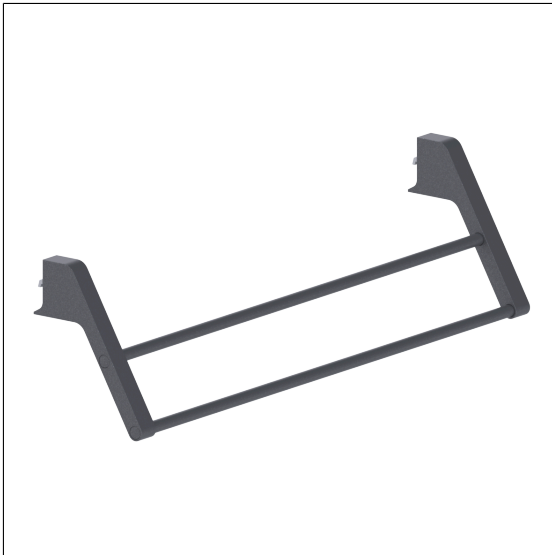


## Care Solutions · Cavere Care Accessories

Cavere Care FlexTowel holder

Article number: 7100021095

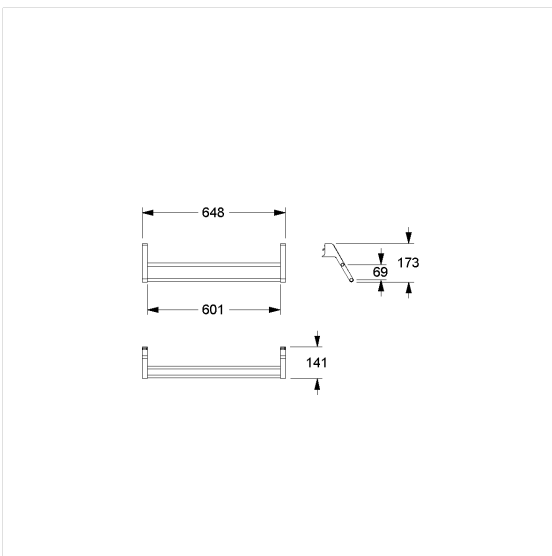
### Product image



### Technical specifications

Product group	7010
Product	FlexTowel holder
Length	650 mm
Width	173 mm
Height	141 mm
Material	aluminium
Surface	scratch-resistant powder coating with antibacterial protection (except 091 Carbon black)
Colour	available in Cavere colours

### Technical drawing



### Product description

- Cavere FlexCare as modular rail system for accessories
- towel holder with two bars
- Can be hung between the brackets of the Cavere Flex towel holder in order to save space
- Distance between the brackets 600mm, suitable for adding Cavere FlexTray and / or Cavere FlexHooks
- invisible fixing with the screw supplied
- can be mounted subsequently to the wall with two Cavere Flex wall brackets 7100025



Antibac



091 092 093 095 096