

Care Solutions · Inox Care

Inox Care Grab rail

Article number: 2054025009

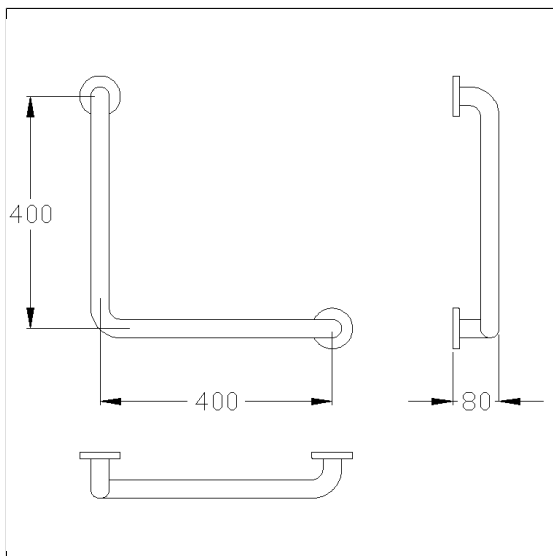
Product image



Technical specifications

Product group	5500
Product	Grab rail
Angle	90 °
Axle dimension a1	400 mm
Axle dimension a3	400 mm
Fixing type	rosettes mounting
Fixing points	2 Piece
Diameter	32 mm
Material	stainless steel, material No. 1.4301 (A2, AISI 304)
Surface	brushed finish
Colour	Stainless steel (009)
Version	left and right
Loading	max. 125 kgs

Technical drawing



Product description

- Inox Care as a robust and timeless classic with bacteriostatic properties
- with Rose Gasket for sealing of the drilling points according to German standard DIN 18534-1
- with stainless steel roses \varnothing 70mm for concealed screw fixing
- In case of lightweight partition walls a backfill made of min. 20mm hardwood is needed
- produced in accordance with Regulation (EU) 2017/745 on medical devices
- CE-certified
- meets the requirements of German standard DIN 18040 and Austrian standard ÖNORM B 1600
- supplied with stainless steel Torx screw $s\varnothing$ 6 x 70 mm and plugs



009