

## Care Solutions · Inox Care

Inox Care Grab rail

Article number: 2054025009

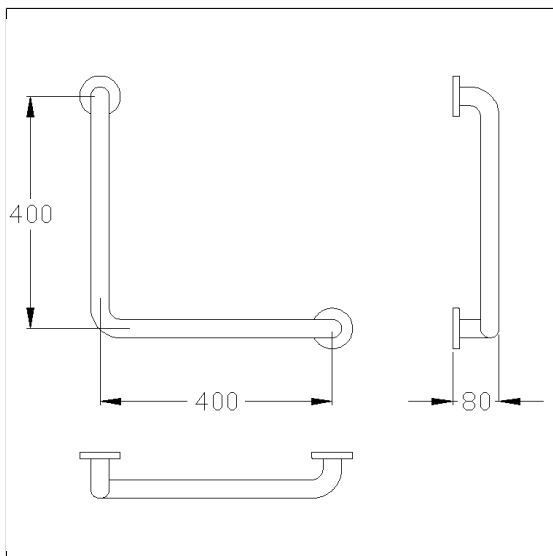
### Product image



### Technical specifications

Product group	5500
Product	Grab rail
Axle dimension a1	400 mm
Axle dimension a3	400 mm
Fixing type	rosettes mounting
Fixing points	2 Piece
Diameter	32 mm
Material	stainless steel, material No. 1.4301 (A2, AISI 304)
Surface	brushed finish
Colour	Stainless steel (009)
Version	left and right
Loading	max. 125 kgs

### Technical drawing



### Product description

- Inox Care as a robust and timeless classic with bacteriostatic properties
- with Rose Gasket for sealing of the drilling points according to German standard DIN 18534-1
- with stainless steel roses  $\varnothing$  70mm for concealed screw fixing
- In case of lightweight partition walls a backfill made of min. 20mm hardwood is needed
- retrofitting with Toilet roll holder 2050300
- CE-certified
- meets the requirements of German standard DIN 18040 and Austrian standard ÖNORM B 1600
- supplied with stainless steel Torx screw  $s\varnothing$  6 x 70 mm and plugs



009