

## Care Solutions · Nylon Care 400

Nylon Care 400 Hanging seat

Article number: 0847914096

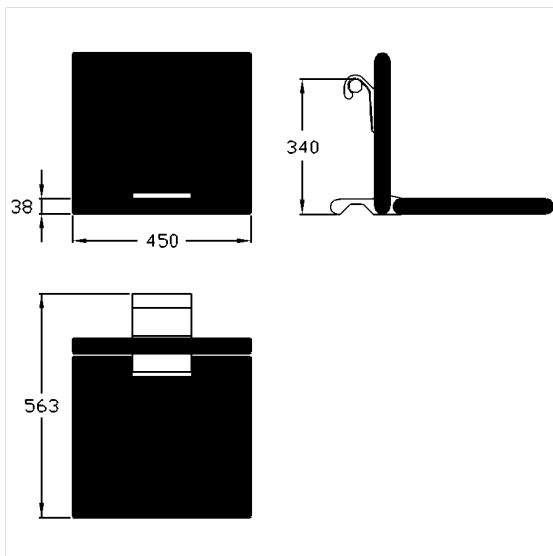
### Product image



### Technical specifications

|               |   |
|---------------|---|
| Product group | 2000  |
| Product       | Hanging seat  |
| Length        | 450 mm  |
| Height        | 406 mm  |
| Width         | 563 mm  |
| Material      | aluminium, padded made of PUR integral foam   |
| Surface       | scratch-resistant powder coating with antibacterial protection                              |
| Colour        | available in White (019), Cavere Metallic anthracite (095) and Cavere Metallic silver (096) |
| Loading       | max. 175 kgs  |

### Technical drawing



### Product description

- Nylon Care - a well-trying and proven product family with a wide range of variants, three product series suiting many different requirements
- for hanging in Cavere Care Shower handrails
- for hanging in Inox Care and Nylon Care Shower handrails
- Pad with non-corrosive metal core throughout,
- with adjustable brake
- locked in place in vertical position
- with non-corrosive steel core throughout
- steel reinforced hinges
- with adjustable brake
- locked in place in vertical position
- for top edge of shower handrail 770-800mm
- for top edge of shower handrail 850mm the seat height corresponds 460 mm (DIN18040 und ÖNORM B1600)
- retrofittable with armrest 7843100

