

Inox Tube board bracket

Article number: 2289040009

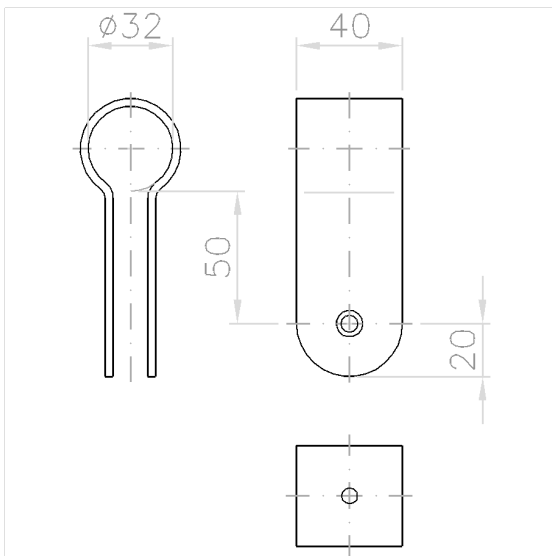
### Product image



### Technical specifications

Product group	6600
Product	Tube board bracket
Short name	NT.RPH
Length	40 mm
Width	40 mm
Height	105 mm
Material	stainless steel, material No. 1.4401 (A4, AISI 316)
Surface	brushed finish
Colour	Stainless steel (009)

### Technical drawing



### Product description

- Design partition solutions for doors and partitions made of HPL board material
- For fixing partition wall panels to the upper framework
- for panel thickness 13 mm, can also be used for panel thickness 10 mm with spacer 2290880
- with drill hole  $\varnothing$  6 mm
- supplied with M5 threaded sleeve, M5 x 12 mm screw and a 6 x 10 mm locating dowel pin



009