

Care Solutions

Care Fixing set,
with injectionscartridge

Article number: 0447990000

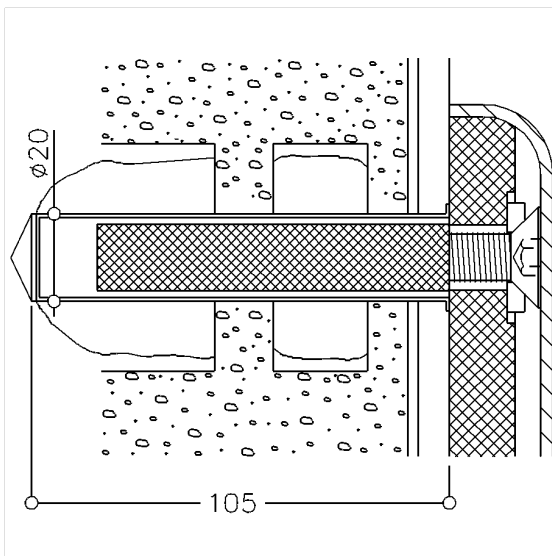
Product image



Technical specifications

Product group	2000
Product	Fixing set, with injectionscartridge
Short name	MS 4.9 H 13
Material	polyamide
Type of wall	On brickwork made of perforated brick: perforated brick HLZ ≥ 12 , cavity brick KSL ≥ 12 , checker brick \geq Hbl4, Hbn4 other hollow brick materials concrete/ lightweight concrete, solid brick \geq Mz12 sand- lime brick \geq KS12, natural stone with compact grain solid pumice
Material & scope of delivery	3 x countersunk screw M10 x 30, A4-AISI 316 3 x sieve sleeve $\varnothing 20 \times 100$ 3 x internal threaded steel sleeves $\varnothing 15$ $\times 75$ / M10 1 x injection cartridge with compound mortar 145cm ³
Colour	Colourless (000)

Technical drawing



Product description

- suitable for:
 - Nylon Care 300 wall-/lift-up support rail, Mounting plate for lift-up shower seat and shower guard rail
 - Nylon Care 400 wall-/lift-up support rail, shower guard rail and Mounting plate for lift-up shower seat
 - Special Care Adipositas: lift-up support rail
- Attention: Product with expiry date
- installation has to be carried out by professionals
- the fixing set are allowed by building inspector



000