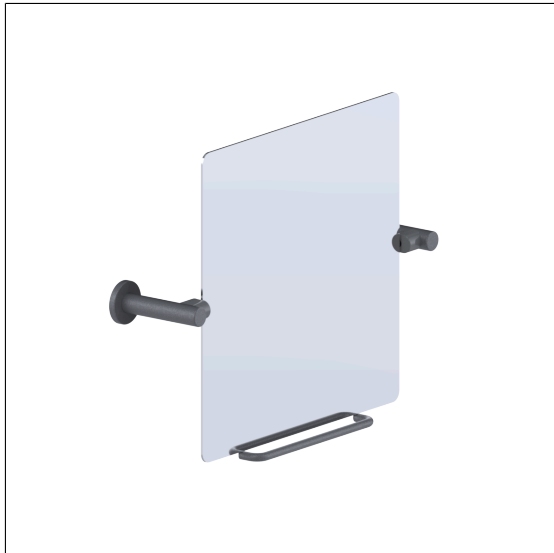


Care Solutions · Cavere Care

Cavere Care Adjustable mirror

Article number: 7466112095

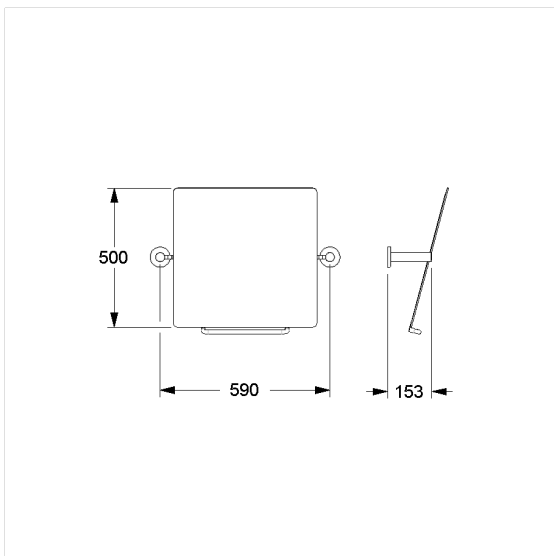
Product image



Technical specifications

Product group	7010
Product	Adjustable mirror
Length	660 mm
Width	153 mm
Height	500 mm
Glass thickness	4 mm
Material	stainless steel, material No. 1.4301 (A2, AISI 304), mirror made of crystal glass
Surface	scratch-resistant powder coating with antibacterial protection (except 091 Carbon black)
Colour	available in Cavere colours

Technical drawing



Product description

- Cavere Care as an award-winning product family with excellent design for all requirements
- mirror 500 x 500mm with cut edges and rounded corners, mounted on steel base plate
- adjustable up to 25° with operating handle
- adjustable tilting action
- with stainless steel roses Ø 70mm for concealed screw fixing
- retrofittable with Care mirror lamp 0300669
- retrofittable with Care operating handle 0466450, optional with antibacterial protection 4466450
- supplied with stainless steel Torx screw sØ 6 x 70 mm and plugs



Antibac

