

Care Solutions · Nylon Care 400

Nylon Care 400 Shower guard rail,
for hanging in

Article number: 0448845095

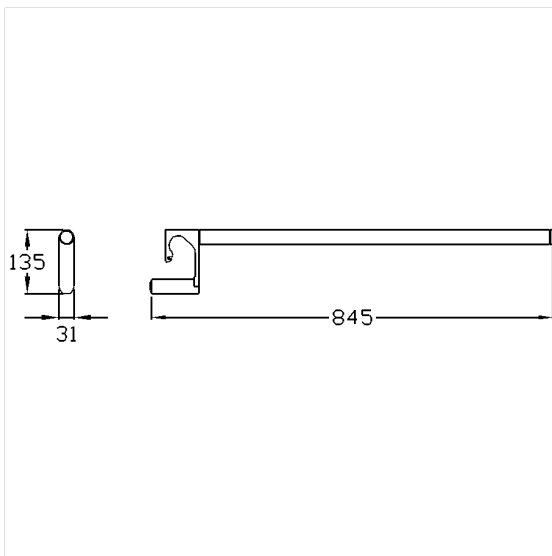
Product image



Technical specifications

Product group	2000
Product	Shower guard rail, for hanging in
Length	845 mm
Material	aluminium
Surface	scratch-resistant powder coating with antibacterial protection
Colour	available in White (019) and Cavere Metallic anthracite (095)

Technical drawing



Product description

- Nylon Care - a well-tried and proven product family with a wide range of variants, three product series suiting many different requirements
- for Nylon Care Shower handrails
- not suitable as a support rail



Antibac



019 095