

Care Solutions · Cavere Care Chrome

Cavere Care Chrome Grab bar

Article number: 9453040395

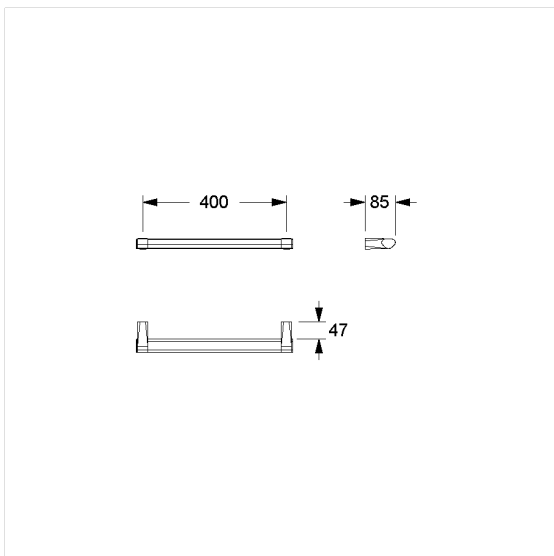
Product image



Technical specifications

Product group	7000
Product	Grab bar
Axle dimension a1	400 mm
Fixing type	single-point mounting
Fixing points	2 Piece
Material	aluminium
Surface	chrome finish grip profile, scratchproof antibacterial powdercoated handel support
Colour	available in colours Chrome white (392) and Chrome metallic anthracite (395)
Version	left and right
Loading	max. 100 kgs

Technical drawing



Product description

- Cavere Care as an award-winning product family with excellent design for all requirements
- ergonomic by trigonometric handle contour
- with sealing elements for sealing of the drilling points according to German standard DIN 18534-1
- single-point wall attachment with 3mm tolerance compensation (= ffl 1.5mm) for an easy and safe installation,
- concealed screw fixing
- In case of lightweight partition walls a backfill made of min. 30mm hardwood is needed
- produced in accordance with Regulation (EU) 2017/745 on medical devices
- CE-certified
- meets the requirements of German standard DIN 18040 and Austrian standard ÖNORM B 1600
- supplied with stainless steel hexagon head screws $\varnothing 6 \times 100$ mm according to DIN 571 and dowels



392 395