

## Care Solutions · Cavere Care Chrome

Cavere Care Chrome Grab bar

Article number: 9453040395

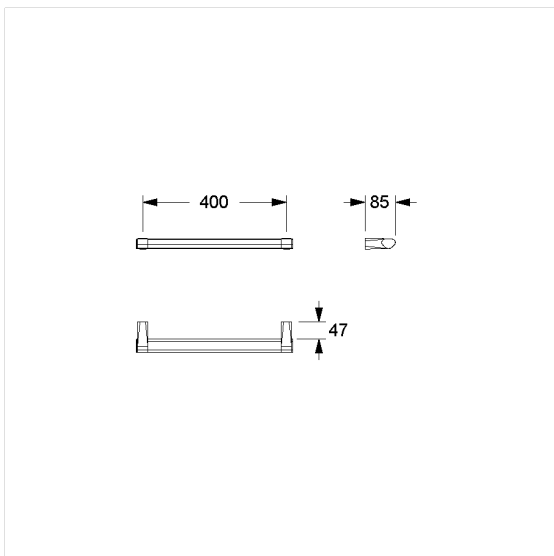
### Product image



### Technical specifications

Product group	7000
Product	Grab bar
Axle dimension a1	400 mm
Fixing type	single-point mounting
Fixing points	2 Piece
Material	aluminium
Surface	chrome finish grip profile, scratchproof antibacterial powdercoated handel support
Colour	available in colours Chrome white (392) and Chrome metallic anthracite (395)
Version	left and right
Loading	max. 100 kgs

### Technical drawing



### Product description

- Cavere Care as an award-winning product family with excellent design for all requirements
- ergonomic by trigonometric handle contour
- single-point wall attachment with 3mm tolerance compensation (= ffl 1.5mm) for an easy and safe installation,
- concealed screw fixing
- In case of lightweight partition walls a backfill made of min. 30mm hardwood is needed
- CE-certified
- meets the requirements of German standard DIN 18040 and Austrian standard ÖNORM B 1600
- supplied with stainless steel hexagon head screws  $\varnothing 6 \times 100$  mm according to DIN 571 and dowels

