

# Product data sheet

## Care Solutions · Nylon Care 400

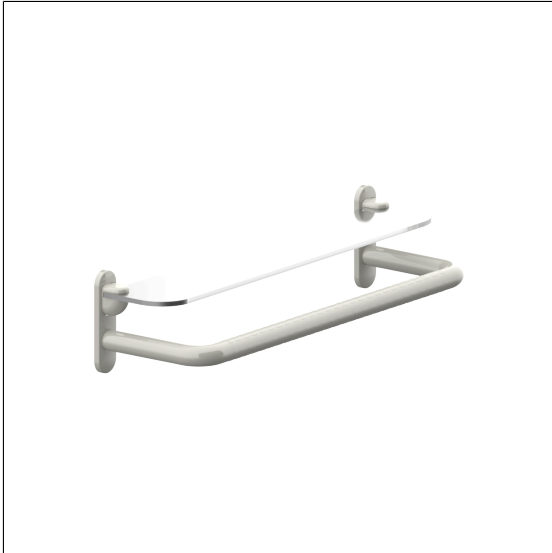
**NORMBAU**

PASSION FOR CARE

Nylon Care 400 Glass shelf,  
with Grab bar

Article number: 4953600067

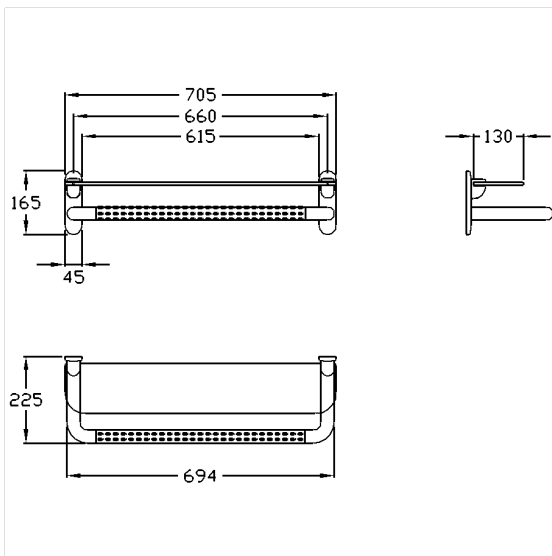
### Product image



### Technical specifications

Product group	1500
Product	Glass shelf, with Grab bar
Length	705 mm
Width	225 mm
Height	165 mm
Material	glass, Handle made of polyamide
Surface	Glass clear, Handgrip high-gloss with antibacterial protection, with textured surface for non-slip grip
Colour	available in colours Dark grey (018), White (019) and Manhattan (067)

### Technical drawing



### Product description

- Nylon Care - a well-trying and proven product family with a wide range of variants, three product series suiting many different requirements
- for wall mounting
- concealed screw fixing
- supplied with fixing material



Antibac

