

## Care Solutions · Nylon Care 300

Nylon Care 300 Lift-up support rail,  
with toilet roll holder and floor support

Article number: 0300456019

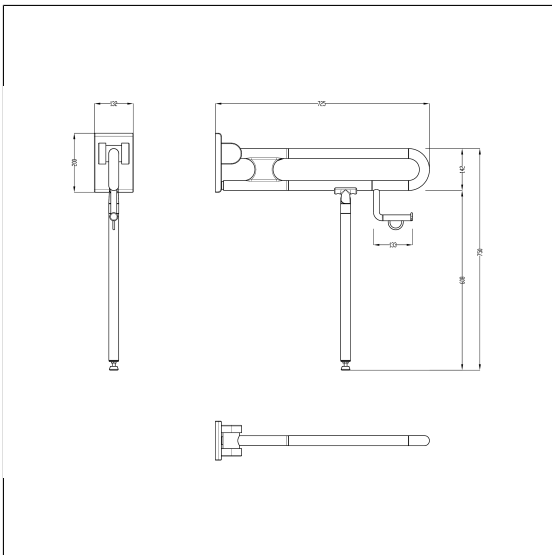
### Product image



### Technical specifications

|               |   |
|---------------|---|
| Product group | 0700  |
| Product       | Lift-up support rail, with toilet roll holder and floor support |
| Length        | 725 mm  |
| Fixing height | 750 mm  |
| Diameter      | 34 mm   |
| Material      | polyamide   |
| Surface       | high gloss  |
| Colour        | available in nylon colours                                      |
| Version       | left and right  |
| Loading       | max. 100 kgs  |

### Technical drawing



### Product description

- Nylon Care - a well-trying and proven product family with a wide range of variants, three product series suiting many different requirements
- with adjustable brake
- with durable maintenance-free, friction bearings
- with non-corrosive steel core throughout
- floor support with non-slip floor contact
- with paper roll holder with maintenance free roll brake
- with steel reinforced mounting plate for three-point fixing and Nylon cover
- Floor support serves as a support in case of insufficient wall condition, thus the resulting forces on the wall fixing can be reduced
- concealed screw fixing
- In case of lightweight partition walls a backfill made of min. 20mm hardwood is needed
- certified by TÜV PRODUCT SERVICE
- load capacity: max. 100kgs according to ISO17966:2016, statically tested up to 150kgs
- produced in accordance with Regulation (EU) 2017/745 on medical devices
- CE-certified
- meets the requirements of German standard DIN 18040 and Austrian standard ÖNORM B 1600
- Fixing set has to be determined according to conditions on site, is to be ordered separately

