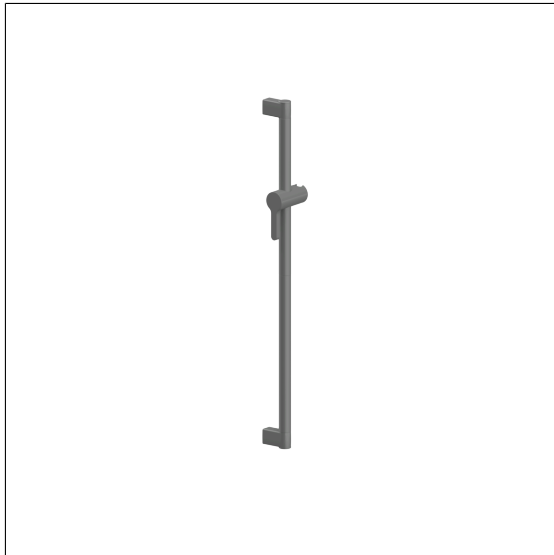


Verso Care Shower head rail

Article number: 3501213018

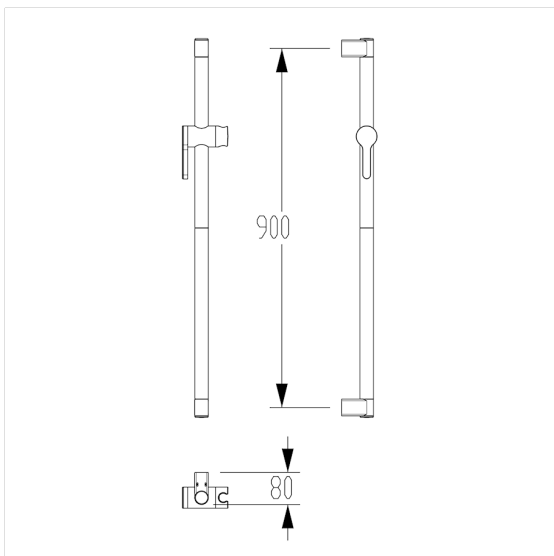
Product image



Technical specifications

Product group	3800
Product	Shower head rail
Fixing type	single-point mounting
Fixing points	2 Piece
Axle dimension a1	900 mm
Material	polyamide
Surface	high gloss
Diameter	34 mm
Version	left and right
Colour	available in nylon colours
Loading	max. 125 kgs

Technical drawing



Product description

- Nylon Care - a well-trying and proven product family with a wide range of variants, three product series suiting many different requirements
- with non-corrosive steel core throughout
- Shower head holder with easy adjustment to any height and angle, self-adjusting clamp maintenance-free
- side-mounted operating handle for one-handed operation by turning
- Shower head holder suitable for various hand shower types
- single-point wall attachment with 3mm tolerance compensation (= ffl 1.5mm) for an easy and safe installation,
- concealed screw fixing
- In case of lightweight partition walls a backfill made of min. 30mm hardwood is needed
- CE-certified
- supplied with stainless steel hexagon head screws $\varnothing 6 \times 100$ mm according to DIN 571 and dowels

