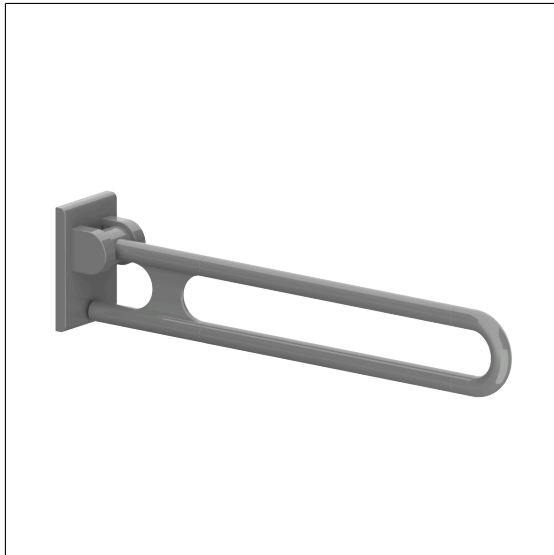


Care Solutions · Nylon Care 300

Nylon Care 300 Lift-up support rail

Article number: 0300473018

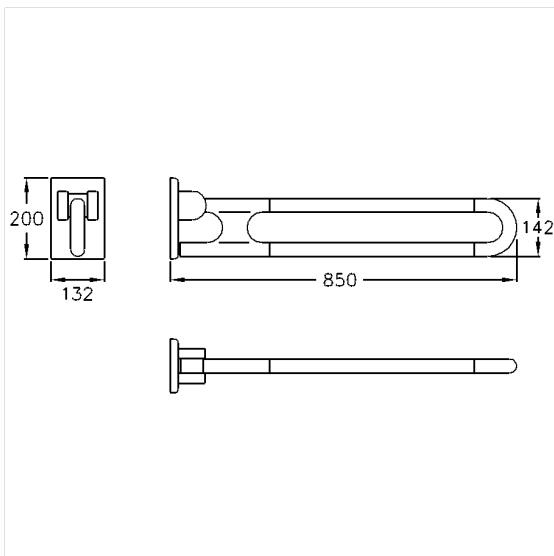
Product image



Technical specifications

| | |
|---------------|----------------------------|
| Product group | 0700 |
| Product | Lift-up support rail |
| Length | 850 mm |
| Diameter | 34 mm |
| Material | polyamide |
| Surface | high gloss |
| Colour | available in nylon colours |
| Version | left and right |
| Loading | max. 100 kgs |

Technical drawing



Product description

- Nylon Care - a well-tried and proven product family with a wide range of variants, three product series suiting many different requirements
- with adjustable brake
- with durable maintenance-free, friction bearings
- with non-corrosive steel core throughout
- with steel reinforced mounting plate for three-point fixing and Nylon cover
- concealed screw fixing
- In case of lightweight partition walls a backfill made of min. 20mm hardwood is needed
- certified by TÜV PRODUCT SERVICE
- produced in accordance with Regulation (EU) 2017/745 on medical devices
- CE-certified
- meets the requirements of German standard DIN 18040 and Austrian standard ÖNORM B 1600
- Fixing set has to be determined according to conditions on site, is to be ordered separately

