

Care Solutions · Cavere Care Chrome

Cavere Care Chrome Shower handrail

Article number: 9484045395

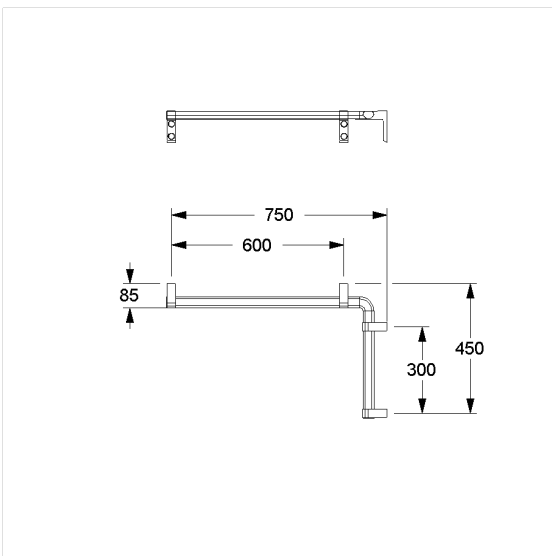
Product image



Technical specifications

Product group	7000
Product	Shower handrail
Axle dimension a1	450 mm
Axle dimension a2	750 mm
Fixing type	L-support
Fixing points	4 Piece
Material	aluminium
Surface	chrome finish grip profile, scratchproof antibacterial powdercoated handrail support
Colour	available in colours Chrome white (392) and Chrome metallic anthracite (395)
Version	left
Loading	max. 150 kgs

Technical drawing



Product description

- Cavere Care as an award-winning product family with excellent design for all requirements
- ergonomic by trigonometric handle contour
- In case of lightweight partition walls a backfill made of min. 20mm hardwood is needed
- CE-certified
- meets the requirements of German standard DIN 18040 and Austrian standard ÖNORM B 1600
- supplied with stainless steel Torx screw $s\varnothing 6 \times 70$ mm and plugs

