

Care Solutions · Cavere Care

Cavere Care Backrest,
for Lift-up support rails

Article number: 7841320095

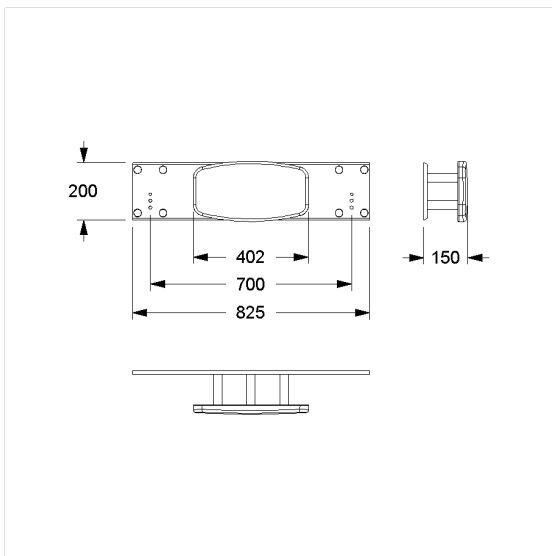
Product image



Technical specifications

Product group	7000
Product	Backrest, for Lift-up support rails
Length	825 mm
Width	150 mm
Height	200 mm
Material	aluminium, padded made of PUR integral foam
Surface	scratch-resistant powder coating with antibacterial protection (except 091 Carbon black)
Colour	available in Cavere colours, padded, colour black

Technical drawing



Product description

- Cavere Care as an award-winning product family with excellent design for all requirements
- backrest mounted on mounting plate
- for fixing of two Cavere Care lift-up support rails without mounting plate and Cavere Care lift-up support rails with E-buttons, connection covered with rose
- fixing distance of 700mm between the lift-up support rails
- When ordering lift-up support rails with E-button the mounting plate will not be invoiced
- concealed screw fixing
- Fixing set has to be determined according to conditions on site, is to be ordered separately.



Antibac

