

Product data sheet

Care Solutions · Nylon Care 400

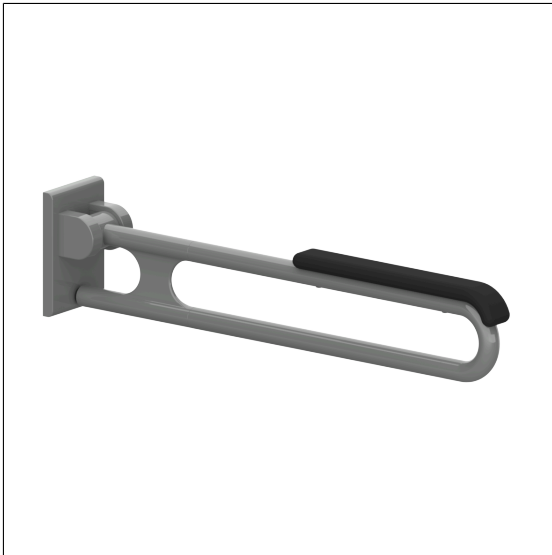
NORMBAU

PASSION FOR CARE

Nylon Care 400 Lift-up support rail,
with padded armrest

Article number: 0447450018

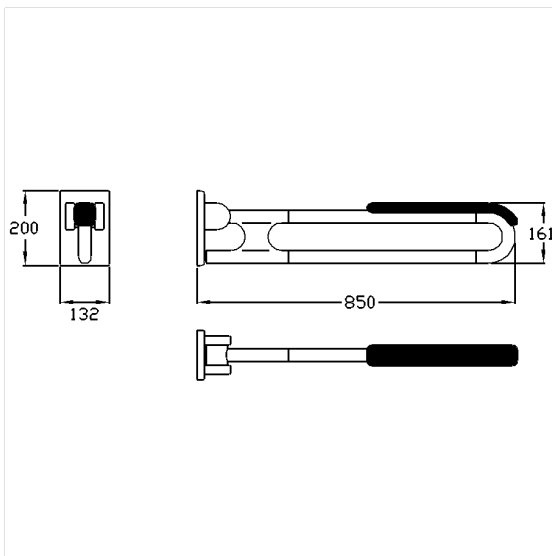
Product image



Technical specifications

Product group	2000
Product	Lift-up support rail, with padded armrest
Length	850 mm
Diameter	34 mm
Material	polyamide, Armrests made of PUR integral foam
Surface	high gloss
Colour	available in nylon colours, padded, colour black
Version	left and right
Loading	max. 125 kgs

Technical drawing



Product description

- Nylon Care - a well-trying and proven product family with a wide range of variants, three product series suiting many different requirements
- with adjustable brake
- with durable maintenance-free, friction bearings
- with non-corrosive steel core throughout
- spring-loaded mechanism, smooth-running folding
- padded armrest made of black PUR integral foam, 400 x 56 mm
- with steel reinforced mounting plate for three-point fixing and Nylon cover
- concealed screw fixing
- In case of lightweight partition walls a backfill made of min. 20mm hardwood is needed
- certified by TÜV PRODUCT SERVICE
- CE-certified
- meets the requirements of German standard DIN 18040 and Austrian standard ÖNORM B 1600
- Fixing set has to be determined according to conditions on site, is to be ordered separately

