

Inox Care Adjustable mirror

Article number: 2956110008

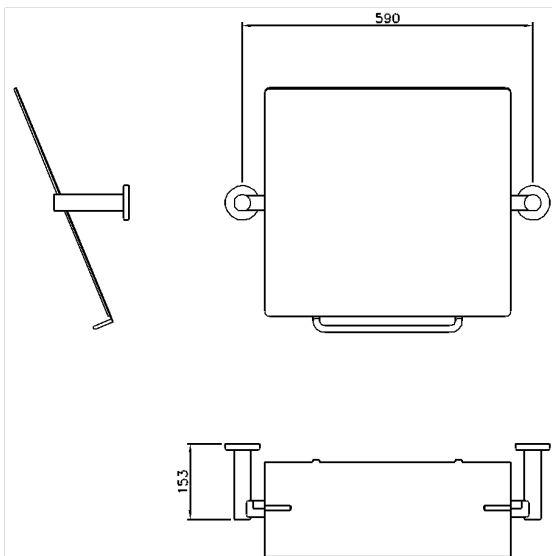
### Product image



### Technical specifications

Product group	5500
Product	Adjustable mirror
Length	660 mm
Width	500 mm
Height	153 mm
Glass thickness	4 mm
Material	stainless steel, material No. 1.4301 (A2, AISI 304), mirror made of crystal glass
Surface	high gloss
Colour	available in Mirror polished (008) and Satin (009)

### Technical drawing



### Product description

- Inox Care is a durable and versatile stainless steel range that combines accessibility and hygiene in a modern design
- mirror 500 x 500mm with cut edges and rounded corners, mounted on steel base plate
- adjustable up to 25° with operating handle
- adjustable tilting action
- with stainless steel roses  $\varnothing$  70mm for concealed screw fixing
- retrofittable with Care mirror lamp 0300669
- retrofittable with Inox Care operating handle 2956450
- supplied with stainless steel Torx screw  $s\varnothing$  6 x 70 mm and plugs

