

## Care Solutions · Cavere Care Chrome

Cavere Care Chrome Shower head rail

Article number: 9488119395

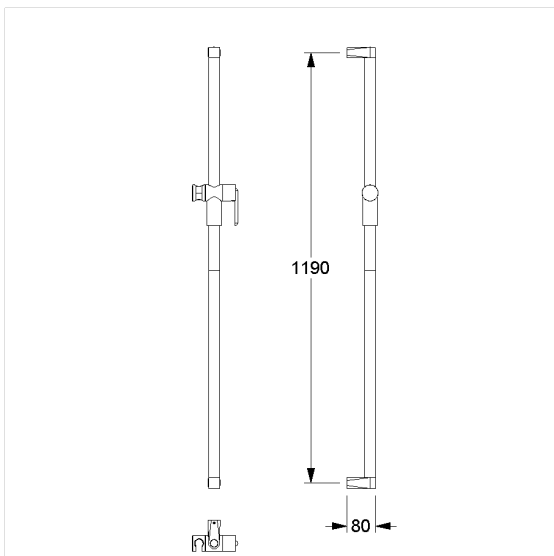
### Product image



### Technical specifications

Product group	7000
Product	Shower head rail
Fixing type	single-point mounting
Fixing points	2 Piece
Axle dimension a1	1190 mm
Material	aluminium, wall supports and shower holder made of aluminium
Surface	chrome finish
Version	left and right
Colour	available in colours Chrome white (392) and Chrome metallic anthracite (395)
Loading	max. 100 kgs

### Technical drawing



### Product description

- Cavere Care as an award-winning product family with excellent design for all requirements
- Shower head holder with easy adjustment to any height and angle, self-adjusting clamp maintenance-free
- side-mounted operating handle for one-handed operation without turning,
- Shower head holder with plastic insert, suitable for various hand shower types
- single-point wall attachment with 3mm tolerance compensation (= ffl 1.5mm) for an easy and safe installation,
- concealed screw fixing
- In case of lightweight partition walls a backfill made of min. 30mm hardwood is needed
- CE-certified
- supplied with stainless steel hexagon head screws  $\varnothing 6 \times 100$  mm according to DIN 571 and dowels

