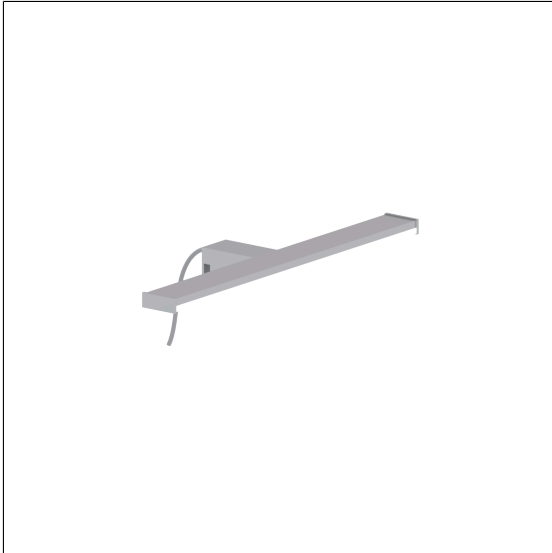


Care Mirror lamp

Article number: 0300669009

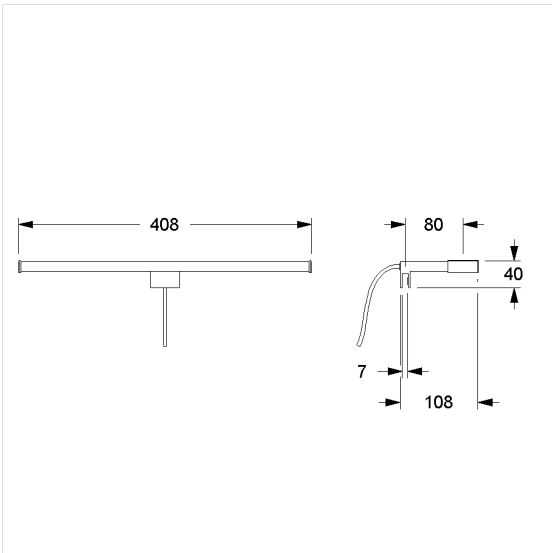
Product image



Technical specifications

Product group	0700
Product	Mirror lamp
Length	400 mm
Width	80 mm
Height	16 mm
Material	aluminium
Colour	Stainless steel (009)

Technical drawing



Product description

- for retrofitting to Nylon Care 400 shower handrails and grab rails from a1 = 800 mm
- LED lamp
- 8 Watt 220 - 230 V input
- nominal luminous flux: 600lm
- splashproof, protective system IP44
- with service cable, length of the cable 27cm and terminal housing

