

Care Solutions · Cavere Care Accessories

Cavere Care FlexWall bracket

Article number: 7100025092

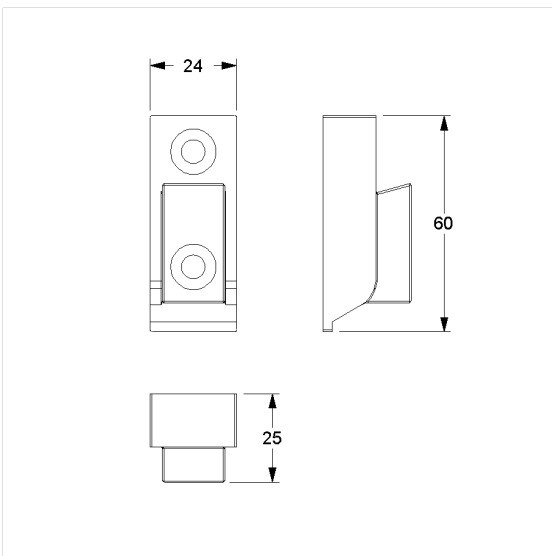
Product image



Technical specifications

| | |
|---------------|--|
| Product group | 7010 |
| Product | FlexWall bracket |
| Length | 24 mm |
| Width | 60 mm |
| Height | 25 mm |
| Material | aluminium |
| Surface | scratch-resistant powder coating with antibacterial protection (except 091 Carbon black) |
| Colour | available in Cavere colours |

Technical drawing



Product description

- for retrofitting wall mounting of Caver FlexTray and CavereFlex Towel holder
- supplied with stainless steel Torx screw sØ 8 x 80 mm and plugs



Antibac

