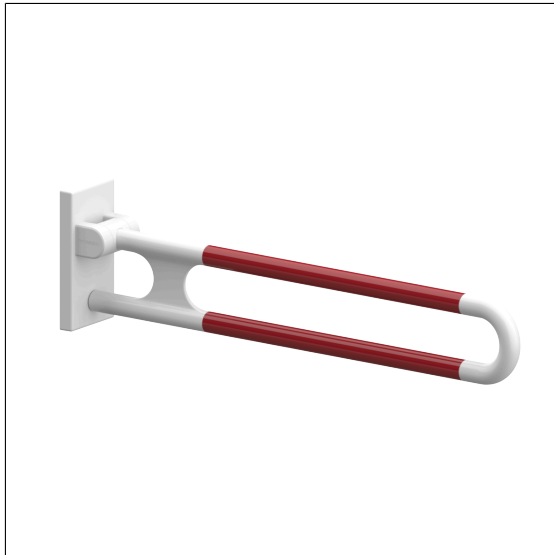


Care Solutions · Verso Care Duo

Verso Care Duo Lift-up support rail vario

Article number: 3500450912

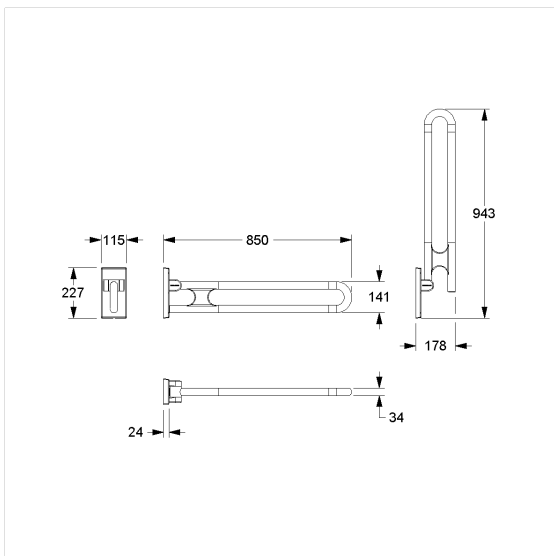
Product image



Technical specifications

Product group	3800
Product	Lift-up support rail
System	vario, with base plate
Length	850 mm
Diameter	34 mm
Material	polyamide, base plate made of stainless steel
Surface	high gloss
Colour	Red-White (912)
Version	left and right
Loading	max. 100 kgs

Technical drawing



Product description

- Verso Care Duo facilitates orientation thanks to the high-contrast color combination
- with adjustable brake
- with durable maintenance-free, friction bearings
- with non-corrosive steel core throughout
- easy installation or removing by connecting / disconnecting to base plate
- concealed screw fixing
- In case of lightweight partition walls a backfill made of min. 20mm hardwood is needed
- certified by TÜV PRODUCT SERVICE
- CE-certified
- meets the requirements of German standard DIN 18040 and Austrian standard ÖNORM B 1600
- Fixing set has to be determined according to conditions on site, is to be ordered separately
- in combination with Care shower guard rails 0787013 / 0787014 also can be used as shower guard rail



Vario



912