

Care Solutions · Nylon Care Accessories

Nylon Care Waste bin

Order number: 0300480019

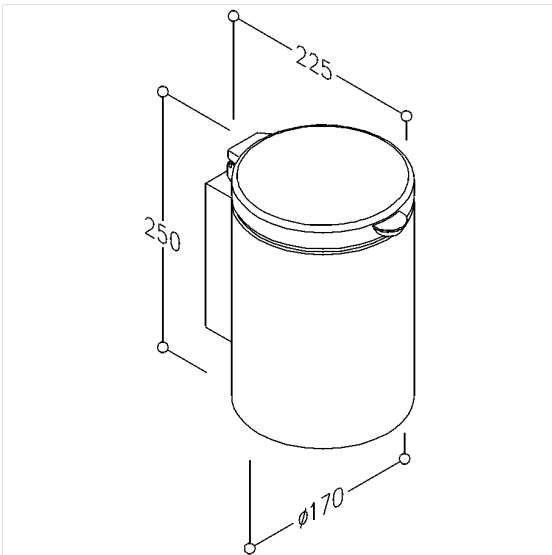
Product image



Technical specifications

Product group	0700
Product	Waste bin
Length	170 mm
Width	225 mm
Height	250 mm
Material	stainless steel, material No. 1.4301 (A2, AISI 304)
Surface	scratch-resistant powder coating with antibacterial protection
Colour	White (019)

Technical drawing



Product description

- Nylon Care - a well-trying and proven product family with a wide range of variants, three product series suiting many different requirements
- removable plastic bin
- concealed screw fixing
- for wall mounting
- supplied with fixing material



019