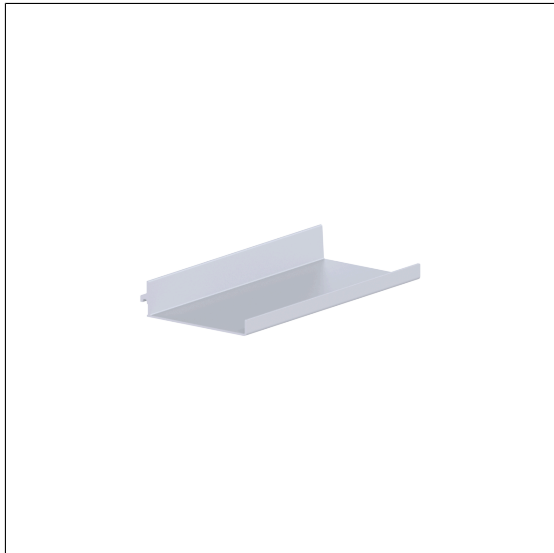


Care Solutions · Cavere Care Accessories

Cavere Care FlexShelf

Article number: 7100010092

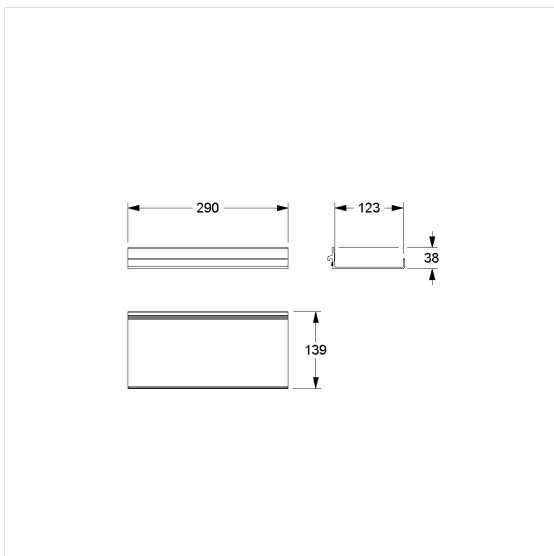
Product image



Technical specifications

Product group	7010
Product	FlexShelf
Length	290 mm
Width	123 mm
Height	38 mm
Storage space	356 cm ²
Material	aluminium
Surface	scratch-resistant powder coating with antibacterial protection (except 091 Carbon black)
Colour	available in Cavere colours
Loading	max. 10 kgs

Technical drawing



Product description

- Cavere FlexCare as modular rail system for accessories
- for hanging in Cavere FlexRail
- Can be hung between the brackets of the Cavere Flex towel holder in order to save space



Antibac



091 092 093 095 096