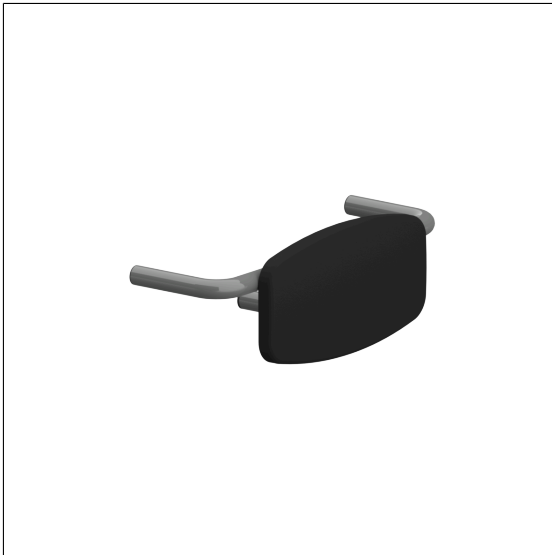


Care Backrest

Article number: 0300422018

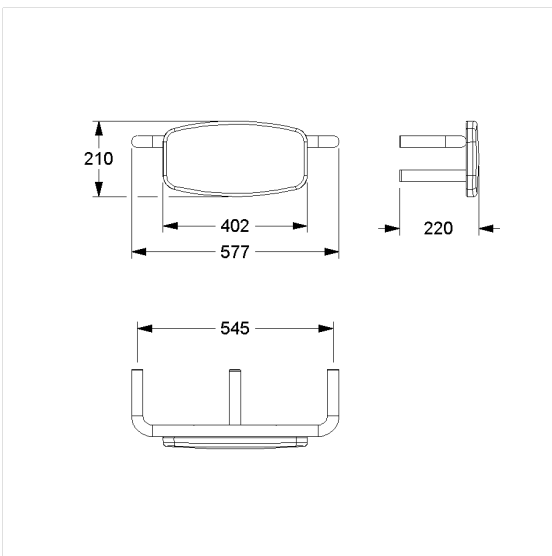
### Product image



### Technical specifications

Product group	0700
Product	Backrest
Length	577 mm
Width	220 mm
Height	210 mm
Diameter	32 mm
Material	stainless steel, material No. 1.4301 (A2, AISI 304), padded made of PUR integral foam
Surface	scratch-resistant powder coating
Colour	available in colours Black (016), Dark grey (018), White (019) and Manhattan (067), padded, colour black

### Technical drawing



### Product description

- Nylon Care - a well-trying and proven product family with a wide range of variants, three product series suiting many different requirements
- concealed screw fixing
- supplied with suitable fixing material for front-wall installation

